

Thank you for purchasing the DSC Escort5580TC module. When connected to the main control panel, the module turns any touchtone telephone – local or remote – into a fully functional keypad. Once activated, the Escort5580TC will act as a guide for the user. The Escort5580TC will prompt the user through clear, easy to understand sentences, telling them what the next key entry should be to perform the various functions available.

In addition to an expanded library of over 250 system words, a powerful “say number” command has been added to the Escort5580TC. This new feature allows any number between zero and 999 to be said in three different ways. Up to six words can be used for Zone Labels, Automation Items, Automation Modes and System Labels, thereby enhancing the Escort5580TC’s versatility.

A new feature on the Escort5580TC is built-in temperature control. This feature allows the Escort to control up to four thermostats. Each thermostat has four programmable temperature ranges called occupancy settings. Each occupancy setting can be turned on by the user, or by the Escort with schedules, panel events and/or modes.

The module also has a built-in line carrier interface. This feature allows the module to control up to 32 line carrier automation type items for lighting control, other home automation features. Automation items can be turned on by the user, or by the Escort with schedules, panel events and/or modes. A full range of dimming levels are also available for lighting control.

We are confident that you and your customer will discover that the Escort5580TC module is the most useful alarm control panel enhancement product available on the market today.

We welcome your input. Please send your comments to:

Digital Security Controls
c/o Escort5580TC Product Manager
1645 Flint Road, Downsview, Ontario
Canada M3J 2J6



Table of Contents

System Introduction	5
1.1 Specifications	5
1.2 About this Manual	5
Getting Started	6
2.1 Installation Steps	6
2.2 Keybus Wiring	6
2.3 Telephone Line Wiring	7
2.4 Enrolling the Escort5580TC Module	7
2.5 Connecting the PL-513 or PSC04 Controller	7
2.6 Connecting the EMS-100 Thermostat and Additional Sensors	8
How to Program	9
3.1 Entering Installer Programming	9
3.2 Programming Data Entry Sections	9
3.3 Programming Toggle Option Sections	9
3.4 Programming Label Entry Sections	10
3.5 Reviewing Programming	10
3.6 Exiting Programming	10
Escort5580TC Access Programming	11
4.1 Accessing the Escort5580TC Locally	11
4.2 Accessing the Escort5580TC Remotely	11
4.3 Global or Partition Operation	11
4.4 Receiving Incoming Calls	12
4.5 Programming Audio (User) Help	12
General Escort5580TC Programming	13
5.1 Programming Escort5580TC Prompts	13
5.2 Changing the Telephone Access Code	13
5.3 Changing Local Programming Lockout	13
5.4 Programming the Clock	13
Automation Item Programming	14
6.1 Enabling Home Automation	14
6.2 Programming Automation Item Operation	14
6.3 Programming How Automation Items are Activated	15
6.4 Programming the House Code & Unit Number	16
6.5 Programming Automation Item Options	16
6.6 Assigning Automation Items to Schedules	17
6.7 Assigning Automation Items to Modes	17
6.8 Assigning Automation Items to PGM Outputs	18
6.9 Programming Automation Items to Follow Zones	18
Automation Schedule Programming	19
7.1 Programming Schedules	19

T A B L E O F C O N T E N T S

Mode Programming	20
8.1 Automation Items and Modes	20
8.2 Thermostat Occupancy Settings and Modes	20
8.3 Programming Modes to Follow PGM Outputs	21
Temperature Control Programming	22
9.1 How Temperature Control Works	22
9.2 Programming Temperature Control Operation	23
9.3 Selecting an Address for a Thermostat	23
9.4 Programming How Occupancy Settings Are Turned On	23
9.5 Selecting Thermostat Options	24
9.6 Assigning Schedules for Temperature Control	25
9.7 Assigning Occupancy Settings to Modes	25
9.8 Assigning Occupancy Settings to PGM Outputs	26
Programming Worksheets	27
System Programming	27
Telephone Access Programming	29
Schedule Programming	30
Automation Items	31
Automation Item Zone Follower Assignments	37
Assigning Modes to Follow PGM Outputs	40
Automation Item Pulse Timers	41
Automation Item Output Follower	42
Label Programming	43
Thermostat Control Programming	46
Thermostat Labels	49
Special Programming	49
Appendix A: Escort5580TC Label Library	50
Appendix B: Automation Item House Codes & Unit Number	51
Appendix C: [*][5] Menu Commands	52
Appendix D: [*][6] Options	53
Appendix E: Access Code Programming	54
Appendix F: Glossary	55

System Introduction

S E C T I O N 1

1.1 Specifications

Escort5580TC Module

- Current draw: 150 mA - operating, 65 mA - standby
- Voltage 12Vdc

Voice Prompting

- All prompts are in complete sentences using a pleasant, easy to understand female voice
- Panel status is constantly announced, when applicable, including bypass, trouble, alarm memory and zone status.

Library

- 250+ system words
- 240+ words for programming labels
- Powerful 'say number' command can announce any number from 0 through 999 in three different ways

Programmable Labels

- System Zone Labels
- Automation Item Labels
- Mode Labels
- Miscellaneous System Labels
- System Partition Labels
- Thermostat Labels

Automation Control

- Requires the connection of the PL-513 or PSC04 X-10 controller module
- Control up to 32 line carrier X-10 Automation Items
- A full range of dimming levels for lighting control
- Global ON/OFF command

Temperature Control

- Available with the following control panels only: PC5010 v2.x, PC5015 v2.x, PC5008 v2.x.
- Requires the connection of at least one EMS-100 thermostat
- Connect and control up to four thermostats

- Each thermostat has four sets of temperature ranges: Day Occupancy Setting, Night Occupancy Setting, Auxiliary Occupancy Setting, Away Occupancy Setting.
- Up to six EMS-ITS modules (indoor temperature sensors) can be connected to each thermostat for temperature averaging
- One EMS-OTS module (outdoor sensor) can be connected to each thermostat to detect and report the outdoor temperature

Additional Features

- Manual control of Automation Items and temperature
- 16 schedules with ON Time, OFF Time and Day of Week Mask
- 8 user-controlled modes
- Event-activated control of Automation Items and temperature for any PGM Output option supported by the main control panel

Downloading

- All Escort5580TC programming can be done via DLS-1 v6.5 or higher software

1.2 About this Manual

In this manual, Escort voice messages are printed in bold and are enclosed in quotes, as shown here:

"Enter your access code"

You can program labels for the Escort to announce when it refers to things such as zones and partitions (e.g. "East wing" instead of "Partition 2"). Some sections give examples of programmed labels. These examples are enclosed in brace brackets, as shown here:

"Program the Escort5580TC to announce an appropriate label, such as {Holiday Mode} for mode 01. "

When instructed to press a key or keys, symbols for the keys will be enclosed in square brackets, as shown here:

Enter [★]

Getting Started

S E C T I O N 2

Follow these steps to install the Escort5580TC. Review the installation and programming sections of this manual before you begin.

2.1 Installation Steps

Step 1: Mount the Escort5580TC Module

Mount the Escort5580TC module in the same cabinet as the main control panel using the nylon standoffs provided. You can mount the module in a separate cabinet, but it must be located close to the control panel in order to hook up the telephone line.

Step 2: Connect the Keybus (Section 2.2)

Connect the 4 wire Keybus according to the diagram in Section 2.2 "Keybus Wiring".

Step 3: Telephone Line Connection (Section 2.3)

Connect the incoming telephone line according to the diagram in Section 2.3 "Telephone Line Wiring".

Step 4: Enroll the Escort5580TC Module (Section 2.4)

Enroll the Escort5580TC module according to the guideline provided in Section 2.4 "Enrolling the Escort5580TC Module".

Step 5: Connect the PL-513 or PSC04 Controller (Section 2.5)

If you will be adding automation items to the system, connect the PL-513 or PSC04 Controller according to the diagram in Section 2.5 "Connecting the PL-513 or PSC04 Controller".

Step 6: Connect the EMS-100 Thermostat and Temperature Sensors (Section 2.6)

If you will be adding temperature control to the system, connect one or more thermostats (EMS-100 Thermostats) to the Escort5580TC according to Figure 3. Refer to Figure 4, if you will be connecting additional temperature sensors.



Temperature control will only work on control panels that:

- support Escort5580 modules
- have software version 2.x or higher.

Step 7: Program the Escort5580TC

You can program the Escort5580TC via any local touchtone telephone. Follow the guidelines in Section 4 "How to Program". You can also program the Escort5580TC using DLS-1 v6.5 or higher downloading software. Refer to the DLS-1 manual for more information.

Step 8: Test the System

Test the Escort5580TC using both local and remote telephones. Check all programmed labels and the operation of all functions including automation items, if connected.

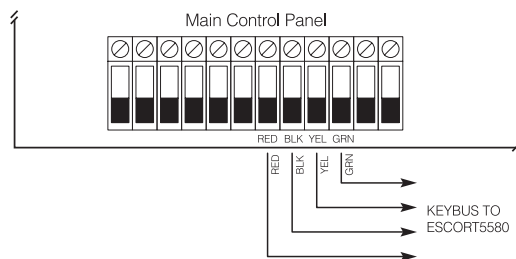


Remote Access will be disabled on all UL listed systems.

2.2 Keybus Wiring

The Escort5580TC module has 4 terminals marked Keybus (red, black, yellow and green). Connect these terminals to the 4 terminals on the main control panel marked Keybus (red, black, yellow and green).

Figure 1: Keybus Connection



2.3 Telephone Line Wiring

The Escort5580TC module has 4 terminals for the telephone line connection (TIP, RING, T1 and R1). The wiring must be as follows:

- Main Control Panel TIP and RING - incoming line
- Main Control Panel T1 and R1 - Escort5580TC TIP and RING
- Escort5580TC T1 and R1 - house phones

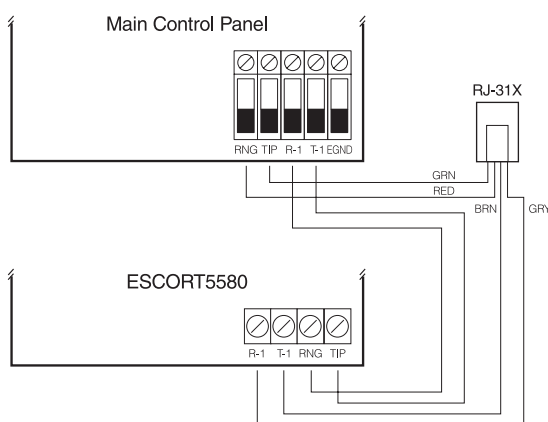


Figure 2: Telephone Connection

2.4 Enrolling the Escort5580TC Module

The Escort5580TC will function properly as soon as all wiring is complete and power is applied. However, to fully supervise the Escort5580TC from PC5010 v1.x control panels, you need to follow these steps:

Procedure on the PC50XX v1.x

1. Wire the Escort5580TC module to the Keybus and telephone line.
2. At a keypad, enter [*][8][Installer's Code] to enter Installer Programming.
3. Enter section [902], then press [#] to exit Installer Programming. The panel will automatically search for all modules on the system. The search takes approximately 1 minute. From this point on, if any modules are removed from the system, a Supervisory Trouble will be generated.

4. To confirm supervision, re-enter Installer Programming and then enter section [903]. On LED keypads, light 24 ON represents successful Escort5580TC supervision. On LCD keypads, the description "Escort5580" will be displayed if successful.
5. If this is not successful, check all wiring to the Escort5580TC.

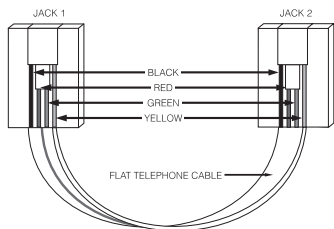
2.5 Connecting the PL-513 or PSC04 Controller

The RJ-11X telephone jack on the Escort5580TC is for connecting the PL-513 or PSC04 Controller. Use an RJ-11X connector cable to connect the Escort5580TC to the PL-513 or PSC04. Plug the PL-513 or PSC04 Controller module into any unswitched AC outlet. Connect automation items for lighting, outlet and temperature control. These items plug into AC outlets located throughout the installation.

The PL-513 or PSC04 Controller receives commands from the Escort5580TC module and sends out signals to control the various automation items connected.

The following diagram shows the cable currently required for connecting the Escort5580TC to the PL-513 or PSC04. With the jacks side by side (tabs facing up), the colours of the wire in each jack will appear in the same order from left to right. This cable is called a "Straight Through Cable" as per telephone industry standards.

! ***Please do not use a "Swapped", "Flipped" or "Crossover" cable as it will not work with the Escort5580TC. To verify whether you have the correct type of cable, plug in the PSC04 (PL513). The red LED should turn ON. Connect the telephone cable to both the PSC04 (PL513) and the Escort5580TC. If the LED on the PSC04 (PL513) turns OFF and remains unlit, you are using the wrong type of cable.***



2.6 Connecting the EMS-100 Thermostat and Additional Sensors

When connected to the Escort5580TC, an EMS-100 Thermostat allows users to detect and control the indoor temperature of the premises locally or remotely from any touchtone telephone. The Escort5580TC can announce either temperature (exterior temperature only if an EMS-OTS module is attached and enabled). The LCD5500Z can also display the temperature(s) and allows the user to access temperature controls.

Figure 3 illustrates how the EMS-100 thermostat connects to the Escort5580TC. Refer to the EMS-100 Installation Sheet for more details.

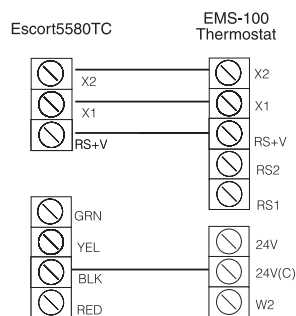


Figure 3: Connecting the Escort5580TC to an EMS-100 thermostat.

Connecting Indoor Sensors (EMS-ITS)

The thermostat has its own temperature sensor built in. You can install additional indoor sensors for more accurate temperature control. Use EMS-ITS sensors to measure temperature at a remote location from the thermostat (where the thermostat's own sensor is disabled), or for temperature averaging in large rooms or between different rooms.

Up to 6 EMS-ITS sensors may be installed. Connect the sensors to the thermostat as shown in Figure 4.

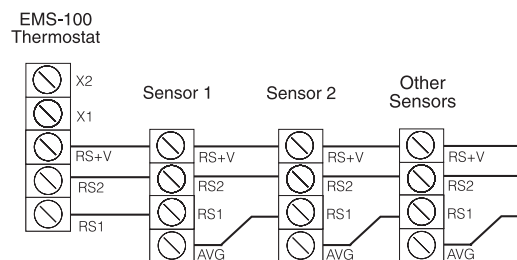


Figure 4: Connecting thermostat to additional sensors.

The maximum distance sensors may be installed from the thermostat is 90 m (300'). Refer to the EMS-ITS Installation Sheet for more details.

Connecting the EMS-OTS (Outdoor Sensor)

The EMS-OTS senses outdoor air temperature via an exterior wired probe. This temperature can be displayed on the thermostat but does not affect thermostat function.

Only one EMS-OTS module may be installed per thermostat. Connect the EMS-OTS to the thermostat in series the same way as an EMS-ITS module (see Figure 4). Insert the EMS-OTS at any point in a chain with other sensors. Refer to the EMS-OTS Installation Sheet for more details.

How to Program

S E C T I O N 3

The following sections describe how to program the Escort5580TC. All Escort5580TC programming can be done via any local touchtone telephone or via the DLS software.



It is extremely important that you read this section of the manual completely before attempting to program the Escort5580TC module.

3.1 Entering Installer Programming

With the system disarmed:

1. Pick up a local telephone handset. You will hear:

Dial Tone.

2. Enter the Telephone Access code. The default Telephone Access code is [***]. (You can reprogram this code in section [020].) The system prompts:

“Hello”

3. Enter programming mode by pressing [★][8]. The system prompts:

“Enter the Service Code”

4. Enter the 4-digit Service code. The default service code is [5580]. (You can change the service code in programming section [001].) After the service code is entered, the system prompts:

“Enter a Section Number. To exit, press [#]”

5. To enter a programming section, enter the 3-digit number of the section. If you make an error entering the section number, the system prompts:

“Invalid entry. Enter a Section Number. To exit, press [#]”

When you enter a section number, the system announces the section you have entered with the prompt:

“Section (number)”

3.2 Programming Data Entry Sections

To program a data entry section from the Escort5580 programming mode:

1. Enter the 3-digit section number.
2. The system announces the section you have entered with the prompt:

“Section (number)”

The system announces the data presently programmed in the programming section as:

“Data is (data)”

The system then prompts:

“Enter new data”

3. Enter the new data in the section, or return to the “Enter a Section Number” prompt, by pressing [#].

When you have finished entering the new data, the system announces the new data with the prompt:

“Data is (data)”

If you make an invalid data entry, the system announces:

“Invalid Entry. Data is (data). Enter new data. To exit, press pound.”

4. Record the new data in the appropriate section of the Programming Worksheets.

3.3 Programming Toggle Option Sections

To program a section with toggle options from the Escort5580 programming mode:

1. Enter the 3-digit section number.
2. The system announces the section you have entered with the prompt:

“Section (number)”

The system announces which options are presently turned ON with one of the following prompts:

“All options are off”

“All options are on”

“Option (number) is on”

“Options (numbers) are on”

The system then prompts:

“Enter two digit option. To Exit, press pound”

3. To exit the section without making any changes, press [#].

To turn an option ON or OFF, enter the 2-digit option number.

If you enter an invalid option number, the system prompts:

“Invalid entry”

After you enter a valid option number, the system again announces which options are ON.

4. When you have finished programming the options in the section, press [#]. The system returns to the “Enter a Section Number” prompt.
5. Record your new programming choices in the appropriate section of the Programming Worksheets.

3.4 Programming Label Entry Sections

To program or change a label:

1. Enter the section number of the label. The system announces the section number and then recites the words presently programmed in the label. Each label may have up to six words. The system then prompts:

“Enter three digit word. To exit, press pound”

2. Enter the first word of the label using the 3-digit codes from the Label Library in Appendix B of the Programming Worksheets.

The system beeps at the end of each correctly entered code and the system prompts:

“Enter three digit word. To exit press pound”

If you make an invalid entry, the system prompts:

“Invalid entry. Enter three digit word. To exit press pound”

3. If you have more words to program, enter the 3-digit code of each word until you are finished.
4. When you have entered six words, the system will recite the label. If your label is less than six words, press [#].
5. To have the system read the new label to you, enter the programming section for the label again.
6. If the label is correct, press [#]. To change the label again, repeat steps 1-5, above.

7. Record the new label in the appropriate section of the Programming Worksheets.

Adding Numbers to Labels

Three special Number Commands are available to allow the system to include a number in the voice label. The number commands allow the system to announce the number in three different modes:

Label 000: Number Command 1, Combined Form. The number will be announced in its full form. For example, the number 401 would be announced as ***“four hundred and one”***.

Label 001: Number Command 2, Ordered Form. The number will be announced in a descriptive form. For example, the number 401 would be announced as ***“four hundred and first”***.

Label 002: Number Command 3, Individual Numbers. Each digit in the number will be announced individually. For example, the number 401 would be announced as ***“four zero one”***.

The number commands take up two of the six available word spaces in a label. In the first space select the type of announcement for the number (Number Command 000, 001 or 002). In the second space program the 3-digit number to be read (from 000 to 999).



Because number commands take up 2 label spaces, you cannot program them in the sixth entry spot for a label.

Automation Item Labels .. Sections [451] - [482]
Mode Labels Sections [521] - [528]
Command Output Labels Sections [545] - [548]
Partition Labels Sections [561] - [562]
Zone Labels Sections [601] - [633]
Thermostat Labels Sections [884] - [887]

3.5 Reviewing Programming

To review the current programming for a section enter the 3-digit section number. The Escort5580TC will announce the data programmed. If the programming is correct press [#] to exit the section, otherwise enter the correct data.

3.6 Exiting Programming

When the Escort5580TC announces ***“Enter Section Number”***, press the [#] key.

Escort5580TC Access Programming

S E C T I O N 4

4.1 Accessing the Escort5580TC Locally

To access the Escort5580TC locally, pick up any local touchtone telephone and enter the three digit Telephone Access Code (default [***]). The Escort5580TC will seize the line and announce

“Hello.”

If the **Access Code Required for Local Access** option is enabled (section [021], option [02]) the Escort5580TC will announce

“Enter your Access Code.”

Invalid access codes count towards the Main Panel Keypad Lockout, if enabled (see your system's *Installation Manual*).

The Escort5580TC will function even if the telephone line is disconnected. The panel monitors the telephone line and if it senses an interruption to the external telephone line connection it will tell the Escort5580TC to provide the current required so that the Escort5580TC will continue to function locally. For this to operate properly, enable Telephone Line Supervision on the control panel (see your system's *Installation Manual*).



For UL Listed installations, Local Access Only (section [021]) must be enabled.

4.2 Accessing the Escort5580TC Remotely



Remote Access will be disabled on all UL listed systems.



Downloading Answer Enabled must be ON in Section [401] of the PC50XX OR section [71] of the PC1575/PC1580 for Remote Access.

If the **Remote Access** option (section [021], option [01]) is enabled the Escort5580TC users can access the system from any touchtone telephone in the world.

1. Call the telephone number the Escort5580TC is connected to.
2. Let the telephone ring one or two times.
3. Hang up and wait 10 seconds before calling again. The Escort5580TC will answer after the first or second ring and announce

“Hello.”

4. Enter the 3-digit Telephone Access Code. If this is not entered within 10 seconds the Escort5580TC will announce

“Goodbye,”

and hang up. Once the correct code has been entered, the system will prompt,

“Enter your Access Code.”

5. Enter a 4- or 6-digit access code. The Escort5580TC will begin to announce the status of the system. If you do not enter an access code within 20 seconds, or if you enter it incorrectly 3 times, the Escort5580TC will announce

“Goodbye,”

and hang up. Invalid access codes count towards the Main Panel Keypad Lockout, if enabled (see your system's *Installation Manual*).

4.3 Global or Partition Operation

If you are connecting the Escort5580TC to a system with 2 partitions, you can program the Escort to allow access to both partitions (global operation), or to only one partition.

Global Operation

If the security system has been set up with 2 partitions, enable the **Access Code Required for Local Access** option (section [021], option [01]). Enabling this option ensures that users can only access partitions they have permission for.

When a user accesses the Escort5580TC, it will automatically determine which partition(s) to select from the access code entered. (E.g. if the access code entered only works on partition 1, the Escort

will allow access to partition 1 and begin to announce its status.)

If the access code entered has permission for both partitions, the Escort5580TC will prompt:

"To select {System}, press [1]."

"To select {Partition 2}, press [2]."

Once the user presses [1] or [2], the Escort5580TC will grant access to the selected partition and begin to announce its status.

If the partition is in Ready mode, the Escort5580TC will prompt either:

"To select {System}, press [#], then [1]."

or

"To select {Partition 2}, press [#], then [2]."

This allows the user to select the other partition if their access code has permission for both partitions.

Partition Operation

If you need to prevent all users from having local access to either of the partitions through the Escort5580TC, disable Escort access to that partition in section [002], options [01-02].



Do not disable access to both partitions.

4.4 Receiving Incoming Calls

If a user is accessing the Escort5580TC locally, and an incoming call is detected, the Escort5580TC will announce:

"Attention: you have an incoming call. To receive the call, press [#] now."

If the user presses [#], the Escort5580TC will connect them to the incoming call. If the user does not press [#], they will continue to have access to the Escort5580TC.

4.5 Programming Audio (User) Help

If the security system has an audio matrix module (PC59XX and intercom stations) connected to it, the Escort5580TC can provide step-by-step audio instructions to users through the intercom stations.

General Voice Prompted Help

You can program one of the keypad function keys to initiate voice prompted user help over all intercom stations. Refer to your system's Installation Manual for more information. When you program a function key for General Voice Prompted Help, it will work in the following way:

1. Press the Help function key on the keypad
2. The Escort5580TC will page all intercom stations.
3. Press the Page/Answer button on one of the stations (this button must be pressed within 5 seconds for the feature to work). This links the stations to the Escort5580TC. The Escort5580TC announces audio help prompts over the intercom stations.

Identified Voice Prompted Help

You can program one of the keypad function keys to initiate voice prompted user help over intercom station beside the keypad. Refer to your system's Installation Manual for more information. Use Identified Voice Prompted Help for function keys on LCD keypads. When you program a function key for Identified Voice Prompted Help, it will work in the following way:

1. Press the Help function key on the keypad
2. The Escort5580TC announces audio help prompts over the intercom station beside the keypad.



If a user is accessing the Escort locally over the telephone line, the Help function key will not work.

General Escort5580TC Programming

S E C T I O N 5

This section explains the basic options available on the Escort5580TC. Automation Item programming is explained in section 6, Temperature Control programming is explained in section 9.

5.1 Programming Escort5580TC Prompts

The Escort5580TC is designed to make the security system easier for the user by reminding users of available commands. For example, after a user accesses the system, they can press [★] and the Escort will announce the [★] commands that are available.

Turn on only the prompts that apply to the system you are installing. This will help avoid confusion for the users. The options in section [004] only effect the Escort [★] prompts: if a prompt is disabled, users will still be able to enter the command it refers to.

Section [003] determines which Status prompts the user will hear. If an option is "ON", the system will announce the prompt when the appropriate condition is present. If an option is "OFF", the system will not announce the prompt if the condition is present.

Turn on applicable thermostat and temperature prompts in section [008]. Refer to the Programming Worksheets for a list of available prompts.

- Section [003]
- Section [004]
- Section [008]

5.2 Changing the Telephone Access Code

The default Telephone Access Code is [★★]. You can change this to any 3 digit code using numbers 0 through 9 as well as the [★] and [#] keys.



Avoid programming this code as a valid 3 digit area code or telephone service. Avoid numbers such as [911],

[411], [611] or [0XX]. Do not try to exit this section by pressing [#], it will be accepted as a valid digit. To exit, program all 3 digits of the code.

- Section [020]

5.3 Changing Local Programming Lockout

The Escort5580TC can be programmed locally through any touchtone telephone. The **Local Programming Lockout Counter** determines the number of incorrect Service codes before local programming lockout occurs. If the number of incorrect Service codes are entered the Escort5580TC will lock out programming for the number of minutes programmed in **Local Programming Lockout Duration**. When locked out the Escort5580TC will not allow local programming for the duration even if the correct Service code is entered. Programming via the DLS can still be performed if local programming lockout is active.

- Section [005]
- Section [006]
- Section [001]

5.4 Programming the Clock

To have the Escort announce the time in am/pm format (e.g. 9:00am), turn on section [002], option [06]. To have the Escort announce the time in 24-hr format (e.g. 21:00), turn off section [002], option [06].

- Section [002]: [06]

Automation Item Programming

S E C T I O N 6

Using the Escort5580TC, users can control up to 32 items such as lights, outlets and window blinds. The Escort5580TC controls automation items (lights, outlets, blinds, etc.) through a PL-513 or PSC04 Controller module (see section 2.5 for connection information).

Read sections 6 to 8 carefully before programming automation items. Please see section 9, "Temperature Control Programming" for information on how to program the Escort5580TC for temperature control.

6.1 Enabling Home Automation

For automation items to work, enable the **Home Automation** feature in section [002], option [03]. You will also need to program each automation item individually, as described in section 6.2, "Programming Automation Item Operation".

Users will be able to control automation items through the [★][5] menu. For additional security, enable the [★][5] **requires an Access Code** option. If enabled, the Escort5580TC will prompt

"Enter Your Access Code"

after the user enters [★][5]. If **No Access Code Required for [★][5]** is enabled, the Escort5580TC will immediately enter the automation item control menu.

To control the automation items, the PL-513 or PSC04 Controller transmits signals over the 50 or 60 Hz AC power of the premises. Choose either **50Hz or 60Hz** in section [002], option [05].

Program the **Number of Automation Item Transmissions** that the Escort will send when an automation item is activated. Since Automation transmissions are not confirmed, having the Escort5580 transmit multiple on/off commands to the control modules can increase reliability.



Each transmission takes approximately one second. The larger the number, the slower the automation system will appear to operate.

The default setting is [001], one transmission. Valid entries are [001] to [255]. A setting of [003] will overcome most signal transmission difficulties.

- Home Automation Enable Section [002]: [03]
- [★][5] Req. Access Code Section [002]: [04]
- AC=50 or 60Hz Section [002]: [05]
- Number of Automation Item
- Transmissions section [007]

6.2 Programming Automation Item Operation

To tell the Escort5580TC how each automation item should work, program the operation of each item to be installed in programming sections [130] through [289]. For each item, you need to program these sections:

- Program the home automation item **House Code and Unit Number** (see section 6.4)
- **Enable** the automation item and program various operating **options** (see section 6.5)
- Select which **schedules** (if any) the automation item will follow (see section 6.6)
- Select which **modes** (if any) the automation item will follow (see section 6.7)
- Select which **panel events (PGM outputs)** (if any) the automation item will follow (see section 6.8).
- Select how the item will be activated and deactivated by programming an **output condition** for the automation item (see section 6.3)

Programming sections [130] through [134] for automation item 01 are described in detail in sections 6.3 to 6.7. Program automation items 02 through 32 in the same manner.

In addition, you may need to program one or more of the following:

- The **On Time, Off Time and Days of the Week** of each schedule to be used (see section 7.1).
- **Zone Follower** options, if any automation items will follow zones (see section 6.9).

- **Automation Item Pulse Timers**, if any automation items will turn on for a short period of time when activated (see section 6.5, option (06)).
- **Automation Item Labels**, to program what the Escort5580TC will say when referring to an automation item (see section 3.4).
- **Mode Labels**, to program what the Escort5580TC will say when referring to a mode (see section 3.4).

6.3 Programming How Automation Items are Activated

Automation items can be activated 6 ways.

- manually ([★][5] menu)
- globally ([★][5] menu)
- event initiated
- scheduled
- scheduled OR event initiated
- scheduled AND event initiated.

Manual User Control

Users can control the item through the [★][5] menu. (E.g. to allow manual control for item 1, turn ON section [131], option [02].) The item can still follow schedules or PGM output assignments, if programmed.

See section 6.5, *Programming Automation Item Options* for more information.

Global Item User Control

Users can control items included in the Global command through the [★][5] menu. (E.g. to include item 1 in the Global command, turn ON section [131], option [03].) The item can still follow schedules or PGM output assignments, if programmed.

See section 6.5, *Programming Automation Item Options* for more information.

Event Initiated and Scheduled Automation Item Activation

In addition to manual and global control, you can program automation items to follow pre-set schedules, and/or the state of programmable outputs on the control panel (PGM outputs). PGM outputs can be programmed to activate when events occur. See your system's *Installation Manual* for more information on PGM outputs.

Enter a 2-digit number in sections [134]-[289] to determine how the automation item will operate.

.....
Automation Item Schedule/
Output Condition sections [134] - [289]
.....

(00) Does not follow schedules or PGM outputs

The item will not follow schedules or PGM output assignments.

(01) Event Initiated (Follows PGM Output Only):

The item will follow the state of its assigned PGM output. See *Assigning Automation Items to PGM Outputs* in section 6.8.

Example: Item 1 controls a light. If item 1 is assigned to a PGM programmed to follow alarm status, the light will be on when the system is in alarm, and off when the system is not in alarm.

(02) Follows Schedule Only: The item will follow its assigned schedules. See section 6.6, *Assigning Automation Items to Schedules*.

Example: Item 1 controls a light. If item 1 is assigned to schedule 3, which activates at 19:00 and deactivates at 22:00 every day, the light will turn on at 7:00pm and off at 10:00pm every day.

(03) Follows Schedule or Event Initiation (PGM Output):

The item activates when its assigned schedules are active. The item will also activate when its assigned PGM output is active. If the schedules and the output are active at the same time, the item will also be active. See *Assigning Automation Items to Schedules* and *Assigning Automation Items to PGM Outputs* (sections 6.6 and 6.8).

Example: Item 1 controls a light. Item 1 is assigned to schedule 3, which activates at 19:00 and deactivates at 22:00 every day and a PGM output programmed to follow alarm status.

The light will be on between 7:00pm and 10:00pm every day. If the system goes into alarm any time, the light will turn on.

(04) Follows Schedule and Event Initiation (PGM Output):

The item activates only when its assigned schedules are active at the same time as the assigned PGM output is active. See *Assigning Automation Items to Schedules* and *Assigning Automation Items to PGM Outputs* (sections 6.6 and 6.8).

Example: Item 1 controls a light. Item 1 is assigned to schedule 3, which activates at 19:00 and deactivates at 22:00 every day and a PGM programmed to follow arming status.

If the system is armed between 7:00pm and 10:00pm, the light will be on during that time. If the system is *disarmed* between 7:00pm and 10:00pm, the light will *be off*, but may still be controlled manually by a user on or off the premises.

6.4 Programming the House Code & Unit Number

Each automation item has a unique address selected by dials on the X-10 module. To select the X-10 address, use one dial to select a letter from A through P, and the other dial to select a number from 1 through 16.

To enable the Escort to control the item, program the X-10 address into the Escort5580TC as the **Automation Item House Code and Unit Number**. Refer to the *Automation Item House Code & Unit Number Chart* located in Appendix B for the 3-digit number that corresponds to the dial settings. Program this 3-digit number into the Escort for each automation item, in sections [130] to [285].

.....
Automation Item House Code
& Unit Number Section [130] to [285]
.....

6.5 Programming Automation Item Options

Turn options 01-10 in sections [131] - [286] ON or OFF to define how each automation item will work.

Option [01]: Item Enabled

Turn this option ON to enable the automation item.

Option [02]: User controlled On/Off

User Controlled ON/OFF. When ON, the user will be able to use the [★][5] command to turn the automation item on or off.

Example: the user could access the system from a remote telephone to open the blinds to let their plants get sunlight.

Not User Controlled. When OFF, users will not be able to use the [★][5] command to turn the

automation item on or off. The item may still be controlled by a Schedule or Alarm System Output.

Option [03]: Global On/Off

Included in Global ON/OFF Command. When ON, the automation item will turn ON or OFF when a user executes the Global Item Control function from the [★][5] command. For this option to work, option (02) **User Controlled ON/OFF** must be on as well.

Example: the user may have several lights downstairs. At bedtime, the user could turn off all the lights by issuing a Global Off command through the [★][5] menu. All lights included in the Global Command would be turned off.

Not included in Global ON/OFF Command. When OFF, the automation item will not be affected by the Global Item Control function.

Option [04]: Dimming

Dimming Enabled. When ON, the user can select any of 6 dimming states for the automation item: ON, OFF, and levels 1 through 4. Only use this option for lights or other items connected to power line modules capable of dimming.

Dimming Disabled. When OFF, the user can only select ON or OFF for the automation item.

Option [05]: Mode Option

Follows Schedule / Output Condition Always. The automation item will always follow the Schedule / Output condition programmed in the Item Schedule / Output Condition programming section.

Follows Schedule / Output Condition only when Mode is ON. The automation item will follow the Schedule / Output Condition only when a *mode* assigned to the item is ON. Use this function for items you want to selectively follow a schedule or PGM output. A lawn sprinkler system is a typical application of this function.

See section 6.3 for more information on Schedule/ Output Condition options. See section 8 for more information on how to program modes.

Option [06]: Duration Options

Item ON Steady while Active. When ON, the automation item will remain activated until it is deactivated by the user, a schedule or a PGM output.

Programmed Pulse when Active. Use this option to trigger devices requiring a trigger pulse, or to activate an item for a specific length of time. The automation item will be activated for the length of time programmed in the item's **Automation Item Pulse Timer** section (programming sections [301] to [332]). Valid entries are 001 to 255 seconds.

! *Do not use the Programmed Pulse When Active feature if Dimming is enabled. All pulses turn the automation item ON.*

Automation Item
Pulse Timer sections [301] - [332]

Option [07]: Prompt Option 1

Item prompt is "ON / OFF". When users enter [★][5], the Escort5580TC will announce "ON" or "OFF" for the automation item's ON and OFF states. This prompt would be used for devices such as lights or appliances.

Option [08]: Prompt Option 2

Item prompt is "OPEN / CLOSED". When users enter [★][5], the Escort5580TC will announce "OPEN" and "CLOSED" for the automation item's ON and OFF states. This prompt would be used for applications such as curtains and door openers.

Option [09]: Prompt Option 3

Item prompt is "SETBACK ON/SETBACK OFF". When users enter [★][5], the Escort5580TC will announce "SETBACK ON" and "SETBACK OFF" for the automation item's ON and OFF states. This prompt is only for automation items and will *not* be announced for any thermostats connected and programmed as described in section 9.

! *Only turn on one options 07, 08 and 09. If more than one option is ON, the system will use the first enabled option. If none of the options are ON, the system will use option 07.*

Option [10]: Zone Follower Option

Zone Follower Enabled. Turn this option ON if the automation item will be following the status of a zone. See section 6.9 for further instructions on programming automation items to follow zones.

Automation Item Options sections [131] - [286]

6.6 Assigning Automation Items to Schedules

There are 16 automation schedules in the Escort5580 which determine the ON time, OFF time and Day Mask. See section 7, *Automation Schedule Programming* for information on programming the schedules. To program an automation item to follow a particular schedule, turn ON the option corresponding to the number of the schedule (e.g. turning ON only option 01, programs the automation item to follow only schedule number 1).

Schedule Programming .. sections [030] - [077]
Automation Item
Schedule Assignment sections [132] - [289]

6.7 Assigning Automation Items to Modes

Mode assignment gives users control over groups of automation items programmed for scheduled or event initiated operation. You can assign any automation item to one or more of 8 modes.

Users can turn modes on or off using the [★] [5] command. If the **Follows Schedule/Output only if a Mode is ON** option (section [133]:[05]) is enabled, when a user turns on one or more modes to which the item is assigned, the automation item will activate at the scheduled times or when an event occurs. If all of the modes an item is assigned to are OFF, the item will not activate.

To assign an automation item to one or more modes:

1. Enter the section number corresponding to the automation item ([133] - [288]).
2. Turn on one or more options corresponding to the mode(s) you want the item to follow.

! *If you assign an item to more than one mode, the item follows its assigned schedules when any of its assigned modes are ON. To prevent an item assigned to more than one mode from following any of its assigned sched-*

ules, ALL the modes assigned to the item must be turned OFF.

Example: If the users will be away for a period of time, they can use [★][5] to turn on a {Holiday mode}.

- Assign automation items such as lights and drapery to a mode (e.g. mode 01).
- Program the schedules and/or programmable outputs for the items in such a way that the premises will appear occupied.
- Program the Escort5580TC to announce an appropriate label, such as {Holiday Mode} for mode 01.

When the users turn on mode 01 {Holiday mode}, the lights and drapery will activate according to the programmed schedules and PGM output options.

To provide users with an easier method of turning on any mode, see section 8.3 “Programming Modes to Follow PGM Outputs”.

.....
 Automation Item
 Mode Assignment sections [133] - [288]
 Follows Schedule/Output
 only if Mode On sections [131] to [286]: [05]

! **Program Automation Items 2 through 32 in sections [135] - [289] in the same manner as Automation Item 1 (refer to sections [130]-[134] and the Programming Worksheets for programming instructions).**

6.8 Assigning Automation Items to PGM Outputs

You can assign an automation item to follow a panel event (e.g. a fire or burglary alarm, or a [★][7][1-4] command). To do this, assign the item to a PGM output programmed to follow the same event. See your control panel Installation Manual for a list of available panel events (PGM output options).

Example: if you assign item 1 to follow a PGM output programmed as Command Output 1, the item will activate or deactivate whenever the user activates the command output (e.g. using [★][7][1]).

To assign an item to a PGM output:

1. Enter the 3-digit section number corresponding to the automation item you want to program [401] - [432].
2. Enter the 2-digit number of the PGM output you want the item to follow (01-14).
3. If you have assigned item(s) to a PGM output programmed as a Command Output ([*][7][1-4]), you can program a label for the Command Output in programming sections [545] - [548] (Output Control labels). See section 3.4, “Programming Label Entry Sections”.

! **On PC5010 v1.0 control panels, valid entries are (03-14) only. On PC1575/PC1580 v1.0 and higher control panels, valid entries are (01-02) only.**

! **Up to 4 automation items can be programmed to follow any one PGM output on the system.**

.....
 Automation Item
 Output Follower sections [401] - [432]

6.9 Programming Automation Items to Follow Zones

You can program automation items to turn on when one or more zones are “tripped” (i.e. a door is opened or closed, or a motion detector is triggered). To do this:

- enable the **Zone Follower** option for the automation item (see section 6.5)
- assign the automation item to one or more zones in section [291].

Program how long the automation item will remain on after the zone(s) is tripped and restored in section [290] **Zone Follower Timer**. There is only one timer and it applies to all the automation items.

.....
 Zone Follower EnableSections [131]-[286]: [10]
 Zone Follower Timer Section [290]
 Zone Follower Items Section [291]

Automation Schedule Programming

S E C T I O N 7

7.1 Programming Schedules

Program schedules for controlling automation items and thermostat occupancy settings in sections [030] - [077]. There are 3 programming sections for each schedule:

- **Schedule On Time**
- **Schedule Off Time**
- **Day of Week Mask.**

On selected days of the week any automation items or thermostat occupancy settings assigned to the schedule will be turned on at the Schedule On Time and turned off at the Schedule Off Time, which may be the next day. Schedule Off Times will not affect thermostat occupancy settings.

Example:

You want to program automation item 1 (a premises light) to turn ON Wednesday at 9:00pm and turn OFF Thursday at 3:00am. Assign automation item 1 to schedule 1 and program schedule 1 as follows:

ON Time - 2100

OFF Time - 0300

Day of Week Mask - Wednesday ON (Sunday-Tuesday and Thursday-Saturday OFF).

See section 6.6 for information on assigning automation items to schedules. See section 9.6 for information on assigning thermostat occupancy settings to schedules.

If the automation item's **Automation Item Pulse Timer** is programmed, the item will be active for the pulse time programmed, then it will turn off. The schedule Off Time will not need to be programmed as it will not affect the output. You will also need to program the automation item to follow the timer. See section 6.5 for more information.

.....

Schedule On Time	Section [030] to [075]
Schedule Off Time	Section [031] to [076]
Day of Week Mask	Section [032] to [077]
Automation Item Pulse Timer	Section [301] to [332]

.....

Mode Programming

S E C T I O N 8

Mode assignment gives users control over groups of automation items and/or thermostat occupancy settings. You can assign any automation item or thermostat occupancy setting to one or more of 8 modes. Users can turn modes on or off using the [*][5] menu, or if programmed, [*][7][1-4] commands.

8.1 Automation Items and Modes

Section 6, "Automation Item Programming" explains in detail the programming you need to do to assign automation items to follow modes.

Example: The users have a sprinkler system and would like it to follow a schedule on the days the sprinkler is needed.

To set up the system in this example, you would need to:

- Enable and program automation item 1 (the sprinklers).
- Program a schedule (e.g. schedule 1) to be active for the desired time period, every day of the week.
- Assign automation item 1 to schedule 1.
- Assign automation item 1, to a mode (e.g. mode 1).
- Turn section [131], option [05] OFF.
- Program a label for mode 1 that says {Sprinkler}.

When the users turn the {Sprinkler} mode on, the sprinklers will activate according to schedule 1. When the users don't want the sprinklers on, they can turn the {Sprinkler} mode off.



If you assign an item to more than one mode, the item follows its assigned schedules when any of its assigned modes are ON. To prevent an item assigned to more than one mode from following any of its assigned schedules, ALL the modes assigned to the item must be turned OFF.

You can also program modes to be turned on or off by PGM outputs. See section 8.3 for more information.

8.2 Thermostat Occupancy Settings and Modes

Each thermostat has 4 occupancy settings (Day, Night, Aux, or Away settings). Each setting is a range of temperatures the thermostat will follow when the setting is active. You can program each occupancy setting on each thermostat to follow modes.

To do this, disable one or more of options 05-08 in sections [800], [821], [842] or [863]. When a user turns on a mode, the selected occupancy setting will activate at the scheduled times or when an event occurs. If all of the modes a setting is assigned to are OFF, the setting will not activate according to schedules or panel events.

Example: The users will be on vacation and would like thermostat 1 to follow the Away occupancy setting.

To set up the system in this example, you would need to:

- Assign the Away occupancy setting for thermostat 1 to follow modes (in section [800] turn option [08] OFF).
- Assign the Away setting for thermostat 1 to a mode (e.g. for mode 01, in section [817] turn option [01] ON).
- Program a schedule (e.g. schedule 01) so that the Away occupancy setting will be active the whole week.
- Assign the Away setting for thermostat 1 to schedule 1 (in section [816] turn option [01] ON).
- Program the Away setting for thermostat 1 to follow schedules only (in section [818], program (02)).
- Program an appropriate label for mode 01 (e.g. {Holiday mode}).
- Program the Away occupancy setting for the desired temperature range using the [*][5] menu.

When the users turn mode 01 {Holiday mode} on, thermostat 1 will follow the Away occupancy setting.

8.3 Programming Modes to Follow PGM Outputs

You can assign any mode to follow a panel event (e.g. a fire or burglary alarm, or a [★][7][1-4] command). To do this, assign the mode to a PGM output programmed to follow the same event. There can be up to 14 PGM outputs, depending on the control panel.

See your control panel Installation Manual for a list of available panel events (PGM output options).

Example 1:

If the users will be away for a period of time, they may want to turn on a {Holiday mode}. You can program a mode to control items such as lights and drapery in such a way that the premises will appear occupied. See the example in section 6.7 for a description of programming for a {Holiday mode}.

If you have programmed mode 01 as a {Holiday Mode}, you can assign it to a PGM output programmed as Command Output 1 ([★][7][1]). Now, when users want to turn ON the {Holiday Mode}, they only need to enter [★][7][1] at any keypad.

Modes turned ON this way override other modes or schedules that might be running.

NOTE: *In order for the Escort to announce {Holiday Mode} for a mode or command output, you must program a label for the mode or command output.*

Example 2:

A thermostat may be set up so that, normally, the Day and Night Occupancy Settings together control its operation 24 hours a day, each day of the week. If the users will be away for a period of time, they may want to turn on the thermostat's Away setting which is set up for a different temperature range 24 hours a day, 7 days a week.

To have the Away setting override the Day and Night settings, assign the Away setting to a mode (e.g. mode 02). You can assign mode 02 to a PGM output programmed as Command Output 2 ([★][7][2]). The users can then enter [★][7][2] at any keypad to turn on mode 02. When mode 02 is turned on this way, it turns on the Away occupancy setting, overriding the Day and Night Occupancy settings, until the users enter [★][7][2] again.

To assign a mode to a PGM output:

1. Enter section [292], **PGM Mode Enable.**
2. Enter the 2-digit number of the PGM output you want the mode(s) to follow
3. Enter the 2-digit number(s) of the mode(s) you want the PGM output to activate.
4. To exit, press [#].

If you assign a mode to a PGM programmed as Command Output 1-4, you can program the Escort5580TC to announce a label (e.g. {Holiday mode}) whenever it refers to the Command Output. See section 3.4 for information on programming labels.

.....
 PGM Mode Enable Section [292]
 Command Output Labels Sections [545] - [548]

Temperature Control Programming

S E C T I O N 9

9.1 How Temperature Control Works



Temperature control will only work on control panels that:

- support *Escort5580* modules
 - have software version 2.x or higher.
- If the control panel supports *Escort5580* modules, but has a software version less than v2.x, all *Escort5580TC* functions are available with the exception of temperature control.**

The *Escort5580TC* can detect and control the indoor temperature of the premises when 1 - 4 *EMS-100* thermostats are connected. Each thermostat can have up to six *EMS-ITS* indoor sensors to detect, average and display the interior temperature. If an *EMS-OTS* outdoor sensor is connected to a thermostat, the *Escort5580TC* can detect and display outdoor temperature. (Refer to the *EMS-100* and *EMS-ITS/OTS Installation Instructions* for more information on these devices.)

The indoor and outdoor temperature can be displayed on the *EMS-100* and on an LCD keypad connected to the security system. The LCD keypad will display the temperature of a selected thermostat when it is not in use (see the *Escort5580TC Instruction Manual*).

Each thermostat can be connected to a heating device (e.g. furnace), a cooling device (e.g. air conditioner) or both.

Users can control indoor temperature directly at the thermostat, through the LCD keypad or using the *Escort5580TC*. In addition, the *Escort5580TC* can automatically control the temperature using schedules and PGM outputs available in the system. This is done in a similar manner to automation item control.

Thermostat Modes

Each thermostat has 4 different Thermostat Modes:

- Cool
- Heat
- Automatic
- Off

If the thermostat is connected to a cooling device (e.g. air conditioning), use the Cool mode to maintain the temperature below a certain level. If the thermostat is connected to a heating device (e.g. furnace), use the Heat mode to maintain the temperature above a certain level. If the thermostat is connected to both a cooling device and a heating device, use the Automatic mode to maintain the temperature within a certain range with both the heating and cooling devices. You can stop temperature control by selecting the Off mode.

Users can change thermostat modes using the *Escort5580TC*, the thermostat, or a system keypad.

Occupancy Settings

Each thermostat has four different temperature ranges that can be programmed. These temperature ranges are called Occupancy Settings:

- Day Occupancy Setting
- Night Occupancy Setting
- Auxiliary Occupancy Setting
- Away Occupancy Setting.

These occupancy settings allow users to easily change the temperature range for the area controlled by the thermostat. Depending on which Thermostat Mode is turned on, the thermostat will use either heating or cooling devices to maintain the temperature within the range programmed for the occupancy setting.

Example: A user wants the temperature in the building to be 21 - 23°C in the day time and 15-17°C in the evening. Using the [★][5] Home Automation menu, program the Day Occupancy setting for 21-23°C and the Night Occupancy setting for 15-17°C. (See the *Escort5580TC Instruction Manual* for information on changing Occupancy Setting temperature ranges.)

A thermostat may be switched to a different Occupancy setting:

- by the user through the *Escort5580TC*, the thermostat or the keypad
- by automatic control using schedules and/or PGM outputs in the system.

Occupancy settings do not need to be turned off. A thermostat will follow the occupancy setting it is in until switched to another one.

9.2 Programming Temperature Control Operation

To tell the Escort5580TC how temperature control should work, program the operation of each thermostat and each Occupancy setting in programming sections [800] through [882]. For each thermostat, you need to:

- Select an **address** (see section 9.3)
- **Enroll** the thermostat and program various operating **options** (see section 9.5)

For each Occupancy setting used on each thermostat you need to:

- Select how the Occupancy setting will follow schedules and/or PGM outputs by programming an **output condition** for the automation item (see section 9.4)
- Select which **schedules** (if any) the Occupancy setting will follow (see section 9.6)
- Select which **modes** (if any) the Occupancy setting will follow (see section 9.7)
- Select which **PGM output** (if any) the Occupancy setting will follow (see section 9.8)

Programming sections for thermostat 01 ([800] through [819]) are described in detail in sections 9.3 to 9.7. If additional thermostats are connected, program them in the same manner.

In addition, you may need to program one or more of the following:

- The **On Time, Off Time and Days of the Week** of each schedule to be used (see section 7).
- **Thermostat Labels**, to program what the Escort5580TC will say when referring to a thermostat item (see section 3.4).
- **Mode Labels**, to program what the Escort5580TC will say when referring to a mode (see section 3.4).

9.3 Selecting an Address for a Thermostat

Each EMS-100 thermostat connected in the system must be given an address (01-04). Do the following at each thermostat on the system:

1. On the EMS-100 thermostat, press and hold the Mode key and the Fan key together for 10 seconds. The display on the EMS-100 will show a 2-digit number from 01-99. This number is the current address of the thermostat.
2. Use the arrow keys on the EMS-100 to scroll through the numbers until the desired number is displayed (01-04). The Escort5580TC only supports thermostat addresses 01-04.
3. To save the thermostat address and exit, press either the Mode key or the Fan key on the EMS-100.



Thermostats must be assigned in sequence. If you remove a thermostat for any reason, you must reassign address numbers 01, 02 and 03 to the remaining thermostats.

9.4 Programming How Occupancy Settings Are Turned On

You can program occupancy settings to follow pre-set schedules, and/or the state of PGM outputs. PGM outputs can be programmed to activate when events occur (e.g. system arming). See your system's Installation Manual for more information on PGM outputs.

Enter a 2-digit number in sections [803]-[881] to determine how each occupancy setting for each thermostat will operate.

.....
Occupancy Setting Schedule/
Output Condition sections [803] - [881]
.....

(00) Does not follow schedules or PGM outputs

Occupancy settings can always be switched manually through the Escort5580TC. If only manual control is desired (no automatic control), then program the Occupancy Mode Schedule /Output Condition as [00] (No Schedule or Output Control).

To access temperature control through the Escort5580TC (either locally or remotely), use the [★][5] menu as described in the Instruction Manual.

(01) Event Initiated (Follows PGM Output Only):

The occupancy setting will follow the state of its assigned PGM output. See *Assigning Occupancy Settings to PGM Outputs* in section 9.8.

Example: If the Day occupancy setting is assigned to a PGM programmed to follow arming status, the Escort5580TC will switch the thermostat to the Day setting whenever the system is armed.

(02) Follows Schedule Only: The item will follow its assigned schedules. See *Assigning Schedules for Temperature Control* (section 9.6).

Example: If the Night occupancy setting is assigned to schedule 3, which activates at 19:00, the Escort5580TC will switch the thermostat to the Night setting at 7:00pm every day. The thermostat will remain switched to the Night setting until a user, another schedule or an event switches it to another setting.

(03) Follows Schedule or Event Initiation (PGM Output): The occupancy setting activates when its assigned schedules are active. The occupancy setting will also activate when its assigned PGM output is active. If the schedules and the output are active at the same time, the occupancy setting will also be active. See *Assigning Schedules for Temperature Control* and *Assigning Occupancy Settings to PGM Outputs* (sections 9.6 and 9.8).

Example: The Night occupancy setting is assigned to schedule 3, which activates at 19:00 and deactivates at 06:00 the next day and a PGM output programmed to follow arming status.

The Escort5580TC will switch the thermostat to the Night setting at 7:00pm every day. Also, whenever the system is armed, the Escort5580TC will switch the thermostat to the Night setting.

(04) Follows Schedule and Event Initiation (PGM Output): The occupancy setting activates only when its assigned schedules are active at the same time as the assigned PGM output is active. See *Assigning Schedules for Temperature Control* and *Assigning Occupancy Settings to PGM Outputs* (sections 9.6 and 9.8).

Example: The Day occupancy setting is assigned to schedule 4, which activates at 09:00 and deactivates at 22:00 every day and a PGM programmed to follow arming status.

If the system is armed between 9:00am and 10:00pm, the Escort5580TC will switch the

thermostat to the Day occupancy setting. If the system is *disarmed* between 9:00am and 10:00pm, the Escort5580TC will *not* switch the thermostat to the Day occupancy setting. The thermostat will continue to use whatever setting it was in previously.

9.5 Selecting Thermostat Options

Turn options 01-08 in sections [800], [821], [842], [863] ON or OFF to define how each thermostat item will work. Sections [800], [821], [842], [863] are the options for thermostats 1, 2, 3 and 4 respectively.

Option [01]: Thermostat Enrolled

Turn this option ON for each thermostat that is connected.

Option [02]: Exterior Temperature Sensor

Turn this option ON if there is an EMS-OTS connected to the thermostat.

Option [03]: Heat Enabled

Turn this option ON if the thermostat is connected to, and controlling, a heating device.

Option [04]: Cool Enabled

Turn this option ON if the thermostat is connected to, and controlling, a cooling device.

Option [05]: Day Setting Mode Option

Follows Schedule / Output Condition Always.

The Day Occupancy Setting will always follow the Schedule / Output condition programmed in the Day Occupancy Setting Schedule / Output Condition programming section, regardless of modes 01-08.

Follows Schedule / Output Condition only when Mode is ON.

The Day Occupancy Setting will follow the Schedule / Output Condition only when a *mode* assigned to the Day Setting is ON.

See section 9.4 for more information on Schedule/Output Condition options. See section 8 for more information on how to program modes.

Option [06]: Night Setting Mode Option

Similar to option [05], only for the Night Occupancy Setting. See section 9.4 for more information on Schedule/Output Condition options. See section 8 for more information on how to program modes.

Option [07]: Auxiliary Setting Mode Option

Similar to option [05], only for the Auxiliary Occupancy Setting. See section 9.4 for more information on Schedule/Output Condition options. See section 8 for more information on how to program modes.

Option [08]: Away Setting Mode Option

Similar to option [05], only for the Away Occupancy Setting. See section 9.4 for more information on Schedule/Output Condition options. See section 8 for more information on how to program modes.

9.6 Assigning Schedules for Temperature Control

There are 16 Automation Schedules in the Escort5580TC which determine the ON time, OFF time and Day Mask. See section 7, *Automation Schedule Programming* for information on programming the schedules.

As with automation items, each of the 4 occupancy settings (Day, Night, Auxiliary, Away) of each thermostat can be programmed to automatically be turned ON by one or more of the schedules in the Escort5580TC.

Example: If you assign the Day and Night Occupancy Settings to different schedules, the Escort can automatically turn the Day setting on in the day time and the Night setting on in the evening.

To program an occupancy setting to follow one or more schedules, turn ON the options corresponding to the numbers of the schedules (e.g. turning ON only option 01, programs the occupancy setting to follow only schedule number 1).

Do not assign the same schedule to two different occupancy settings of the same thermostat. For example, you should not assign schedule (15) to both the Day Occupancy setting and the Night Occupancy setting of Thermostat 1.

.....
 Schedule Programming .. sections [030] - [077]
 Occupancy Setting
 Schedule Assignment sections [801] - [879]

9.7 Assigning Occupancy Settings to Modes

Mode assignment gives users control over groups of automation items or occupancy settings, programmed for scheduled or event initiated operation. You can assign any occupancy setting (Day, Night, Auxiliary & Away) to one or more of 8 modes.

Users can turn modes on or off using the [★] [5] menu. To have an occupancy setting follow a mode, turn on the **Follows Schedule/Output only if a Mode is ON** option for the occupancy setting (see section 9.5). Then, assign the occupancy setting to one or more modes. When the user turns on one or more modes to which the occupancy setting is assigned, the occupancy setting will activate at the scheduled times or when an event occurs. If all of the modes an occupancy setting is assigned to are OFF, the setting will not activate according to schedules/events.

To assign modes, enter the appropriate section number, and turn options 01 – 08 ON or OFF. Options 01 – 08 represent modes 1 – 8 respectively. If the option is ON, automatic control of the selected occupancy setting for the selected thermostat will be dependent on that mode (the mode must be turned ON to enable automatic control). If the option is OFF, automatic control is not dependent on that mode.

Example 1: If the users want a different temperature range to be active while they are away, you can assign the Away occupancy setting to a mode programmed with an appropriate label (e.g. {Holiday mode}). The users can then use [★] [5] to turn on the {Holiday mode}.

- Set the Away occupancy setting to the desired temperature range,
- Program a schedule (e.g. schedule 1) to be active 24hrs a day, 7 days a week.
- Assign the Away setting to schedule 01 and to a mode (e.g. mode 1).
- Program the label for mode 1 to say {Holiday mode}.

When the {Holiday mode} is on, the thermostat will control the temperature at the desired range.

To provide users with a simple method of turning on any mode, see section 8.3 “Programming Modes to Follow PGM Outputs”.

! *If you assign an occupancy setting to more than one mode, the item follows its assigned schedules/PGM outputs when any of its assigned modes are ON. To prevent an item assigned to more than one mode from following any of its assigned schedules/PGM outputs, ALL the modes assigned to the item must be turned OFF.*

.....
 Occupancy Setting
 Mode Assignment sections [802] - [880]
 Follows Schedule/Output
 only if Mode On.. sections [800] to [863]: [05]-[08]

9.8 Assigning Occupancy Settings to PGM Outputs

You can assign an occupancy setting to follow a panel event (e.g. a fire or burglary alarm, or a [★][7][1-4] command). To do this, assign the occupancy setting to a PGM output programmed to follow the same event.

See your control panel Installation Manual for a list of available panel events (PGM output options).

Example: if you assign the Auxiliary occupancy setting to follow a PGM output programmed as Command Output 1, the Escort5580TC will switch

the thermostat to the Auxiliary setting whenever the user activates the command output (e.g. using [★][7][1]).

Please refer to your control panel’s Installation Manual for a complete description of available PGM output options.

To assign an occupancy setting to a PGM output:

1. Enter the 3-digit section number corresponding to the occupancy setting of the thermostat you want to program [804] - [882].
2. Enter the 2-digit number of the PGM output you want the item to follow (01-14).
3. If you have assigned occupancy settings to PGM outputs programmed as a Command Outputs ([*][7][1-4]), you can program a label for the Command Output in programming sections [545] - [548] (Output Control Labels). See section 3.4, “Programming Label Entry Sections”.

! *Do not program two Occupancy Settings on the same thermostat to follow the same PGM output in the system.*

.....
 Occupancy Setting
 Output Follower sections [804] - [882]
 Command Output Labels Sections [545] - [548]

Programming Worksheets

S E C T I O N 1 0

System Programming

[001] Escort5580TC Service Code

Default
5580 Enter 4 decimal digits

[002] First System Options

Default	Option ON	Option Off
ON <input type="checkbox"/>	Option 01 Partition 1 Access Enabled	Partition 1 Access Disabled
OFF <input type="checkbox"/>	Option 02 Partition 2 Access Enabled	Partition 2 Access Disabled
OFF <input type="checkbox"/>	Option 03 Home Automation Enabled	Home Automation Disabled
OFF <input type="checkbox"/>	Option 04 [*][5] Requires an access code	No access code req'd for [*][5]
OFF <input type="checkbox"/>	Option 05 AC = 50Hz	AC = 60 Hz
ON <input type="checkbox"/>	Option 06 Clock is AM/PM	Clock is 24-hour
OFF <input type="checkbox"/>	Option 07 For Future Use	
OFF <input type="checkbox"/>	Option 08 For Future Use	

[003] Status Prompt Mask

Default	Option ON	Option Off
ON <input type="checkbox"/>	Option 01 Warning, Bypass On Prompt enabled	Prompt disabled
ON <input type="checkbox"/>	Option 02 System Trouble ... Prompt enabled	Prompt disabled
ON <input type="checkbox"/>	Option 03 System Open, Zone ... Prompt enabled	Prompt disabled
ON <input type="checkbox"/>	Option 04 Alarms in Memory Prompt enabled	Prompt disabled
ON <input type="checkbox"/>	Option 05 Service Required Prompt enabled	Prompt disabled
ON <input type="checkbox"/>	Option 06 AC Power Trouble Prompt enabled	Prompt disabled
ON <input type="checkbox"/>	Option 07 Telephone Line Trouble Prompt enabled	Prompt disabled
ON <input type="checkbox"/>	Option 08 Communication Trouble Prompt enabled	Prompt disabled
ON <input type="checkbox"/>	Option 09 Zone Fault Prompt enabled	Prompt disabled
ON <input type="checkbox"/>	Option 10 Zone Tamper Prompt enabled	Prompt disabled
ON <input type="checkbox"/>	Option 11 Zone Low Battery Prompt enabled	Prompt disabled
ON <input type="checkbox"/>	Option 12 Time and Date Incorrect Prompt enabled	Prompt disabled

[004] Star Function Prompt Mask

Default	Option ON	Option Off
ON <input type="checkbox"/>	Option 01 For Zone Bypassing Prompt enabled	Prompt disabled
ON <input type="checkbox"/>	Option 02 For System Troubles Prompt enabled	Prompt disabled
ON <input type="checkbox"/>	Option 03 For Alarm Memory Prompt enabled	Prompt disabled
ON <input type="checkbox"/>	Option 04 For Door Chime Control Prompt enabled	Prompt disabled
ON <input type="checkbox"/>	Option 05 For Automation Control Prompt enabled	Prompt disabled
ON <input type="checkbox"/>	Option 06 For Special Functions Prompt enabled	Prompt disabled
ON <input type="checkbox"/>	Option 07 For "Output Control" Prompt enabled	Prompt disabled
ON <input type="checkbox"/>	Option 08 For Arming Without Entry Prompt enabled	Prompt disabled
ON <input type="checkbox"/>	Option 09 For Quick Arming Prompt enabled	Prompt disabled
OFF <input type="checkbox"/>	Option 10 For Quick Exit Prompt enabled	Prompt disabled
ON <input type="checkbox"/>	Option 11 To Arm Interior Zones Prompt enabled	Prompt disabled
ON <input type="checkbox"/>	Option 12 For Volume Control Prompt enabled	Prompt disabled
ON <input type="checkbox"/>	Option 13 For Speech Rate Control Prompt enabled	Prompt disabled
OFF <input type="checkbox"/>	Option 14 For Future Use	
OFF <input type="checkbox"/>	Option 15 For Future Use	
ON <input type="checkbox"/>	Option 16 For User Programming Prompt enabled	Prompt disabled

[005] Local Programming Lockout Counter

Default
000 (Valid entries are 000-255 attempts)

[006] Local Programming Lockout Duration

Default
000 (Valid entries are 000-255 minutes)

[007] Number of Home Automation Transmissions

Default
001 (Valid entries are 000-255 powerline transmissions)

[008] Thermostat Prompt Mask

Default	Option ON	Option Off
ON <input type="checkbox"/>	Option 01 To Set Temperature Prompt enabled	Prompt disabled
ON <input type="checkbox"/>	Option 02 For Occupancy Mode Prompt enabled	Prompt disabled
ON <input type="checkbox"/>	Option 03 For Thermostat Mode Prompt enabled	Prompt disabled
ON <input type="checkbox"/>	Option 04 For Fan Control Prompt enabled	Prompt disabled
ON <input type="checkbox"/>	Option 05 Occupancy Mode Is Aux. Prompt enabled	Prompt disabled
ON <input type="checkbox"/>	Option 06 Occupancy Mode Is Day Prompt enabled	Prompt disabled
ON <input type="checkbox"/>	Option 07 Occupancy Mode Is Away Prompt enabled	Prompt disabled
ON <input type="checkbox"/>	Option 08 Occupancy Mode Is Night Prompt enabled	Prompt disabled
OFF <input type="checkbox"/>	Option 9-16 For Future Use	

Telephone Access Programming

[020] Local/Remote Telephone Access Code

Default

*** Enter 3 digits (0,1,2,3,4,5,6,7,8,9,*,#)



Avoid Codes that interfere with any local telephone equipment (e.g. fax machines, etc.), or that coincide with local telephone company 3-digit telephone numbers and services. Also do not exit this section by pressing [#], it will be accepted as a valid digit.

[021] Telephone Access Options

Default

Option ON

Option Off

OFF Option 01 Local Access Only Remote and Local Access enabled

OFF Option 02 Access code always req'd for local access No code req'd for local access



Local Access Only must be ON for UL Listed installations.

Schedule Programming

Schedule 1 On-Time

Default
 9999 (Valid entries are 0000-2359, 9999 to disable)

Schedule 1 Off-Time

Default
 9999 (Valid entries are 0000-2359, 9999 to disable)

Schedule 1 Day Mask

Default		Option ON		Option Off
ON	<input type="checkbox"/>	Option 01	Activates on Sunday	Does Not Activate on Sunday
ON	<input type="checkbox"/>	Option 02	Activates on Monday	Does Not Activate on Monday
ON	<input type="checkbox"/>	Option 03	Activates on Tuesday	Does Not Activate on Tuesday
ON	<input type="checkbox"/>	Option 04	Activates on Wednesday	Does Not Activate on Wednesday
ON	<input type="checkbox"/>	Option 05	Activates on Thursday	Does Not Activate on Thursday
ON	<input type="checkbox"/>	Option 06	Activates on Friday	Does Not Activate on Friday
ON	<input type="checkbox"/>	Option 07	Activates on Saturday	Does Not Activate on Saturday

	On Time	Off Time	Day Mask
			01 02 03 04 05 06 07
Schedule 1	[030] <input type="text"/>	[031] <input type="text"/>	[032] <input type="text"/>
Schedule 2	[033] <input type="text"/>	[034] <input type="text"/>	[035] <input type="text"/>
Schedule 3	[036] <input type="text"/>	[037] <input type="text"/>	[038] <input type="text"/>
Schedule 4	[039] <input type="text"/>	[040] <input type="text"/>	[041] <input type="text"/>
Schedule 5	[042] <input type="text"/>	[043] <input type="text"/>	[044] <input type="text"/>
Schedule 6	[045] <input type="text"/>	[046] <input type="text"/>	[047] <input type="text"/>
Schedule 7	[048] <input type="text"/>	[049] <input type="text"/>	[050] <input type="text"/>
Schedule 8	[051] <input type="text"/>	[052] <input type="text"/>	[053] <input type="text"/>
Schedule 9	[054] <input type="text"/>	[055] <input type="text"/>	[056] <input type="text"/>
Schedule 10	[057] <input type="text"/>	[058] <input type="text"/>	[059] <input type="text"/>
Schedule 11	[060] <input type="text"/>	[061] <input type="text"/>	[062] <input type="text"/>
Schedule 12	[063] <input type="text"/>	[064] <input type="text"/>	[065] <input type="text"/>
Schedule 13	[066] <input type="text"/>	[067] <input type="text"/>	[068] <input type="text"/>
Schedule 14	[069] <input type="text"/>	[070] <input type="text"/>	[071] <input type="text"/>
Schedule 15	[072] <input type="text"/>	[073] <input type="text"/>	[074] <input type="text"/>
Schedule 16	[075] <input type="text"/>	[076] <input type="text"/>	[077] <input type="text"/>

Automation Items

Sections 'e.g. [130]' to 'e.g. [134]' show the programming to be completed for each automation item, using Item 1 as an example. Complete the programming for automation items 02-32 in a similar manner. Record your programming in the sections that follow the example.

e.g. [130] Item 1 House Code and Unit Number

Default: 000 (Valid entries are 000-255 from chart on Appendix B)

e.g. [131] Item 1 Options

Default	Option	ON	OFF
OFF <input type="text"/>	01	Item enabled	Disabled
ON <input type="text"/>	02	User controlled (On/Off)	Not user controlled
OFF <input type="text"/>	03	Included in Global On/Off command	Not included
OFF <input type="text"/>	04	Dimming enabled	Disabled
ON <input type="text"/>	05	Follows Schedule / Output always	Follows S /O only if a Mode is ON
ON <input type="text"/>	06	Item is ON steady when active	Item activates for programmed time
ON <input type="text"/>	07	Item prompting is "On /Off"	Not this prompting
OFF <input type="text"/>	08	Item prompting is "Open /Close"	Not this prompting
OFF <input type="text"/>	09	Item prompting is "Setback On/Off"	Not this prompting
OFF <input type="text"/>	10	Zone Follower enabled	Disabled

e.g. [132] Item 1 Schedule Assignment

Default	Option	ON	OFF
OFF <input type="text"/>	01	Follows Schedule 1	Does not follow Schedule 1
OFF <input type="text"/>	02	Follows Schedule 2	Does not follow Schedule 2
OFF <input type="text"/>	03	Follows Schedule 3	Does not follow Schedule 3
OFF <input type="text"/>	04	Follows Schedule 4	Does not follow Schedule 4
OFF <input type="text"/>	05	Follows Schedule 5	Does not follow Schedule 5
OFF <input type="text"/>	06	Follows Schedule 6	Does not follow Schedule 6
OFF <input type="text"/>	07	Follows Schedule 7	Does not follow Schedule 7
OFF <input type="text"/>	08	Follows Schedule 8	Does not follow Schedule 8
OFF <input type="text"/>	09	Follows Schedule 9	Does not follow Schedule 9
OFF <input type="text"/>	10	Follows Schedule 10	Does not follow Schedule 10
OFF <input type="text"/>	11	Follows Schedule 11	Does not follow Schedule 11
OFF <input type="text"/>	12	Follows Schedule 12	Does not follow Schedule 12
OFF <input type="text"/>	13	Follows Schedule 13	Does not follow Schedule 13
OFF <input type="text"/>	14	Follows Schedule 14	Does not follow Schedule 14
OFF <input type="text"/>	15	Follows Schedule 15	Does not follow Schedule 15
OFF <input type="text"/>	16	Follows Schedule 16	Does not follow Schedule 16

e.g. [133] Item 1 Mode Assignment

Default	Option	ON	OFF
OFF <input type="text"/>	01	Assigned to Mode 1	Not assigned to Mode 1
OFF <input type="text"/>	02	Assigned to Mode 2	Not assigned to Mode 2
OFF <input type="text"/>	03	Assigned to Mode 3	Not assigned to Mode 3
OFF <input type="text"/>	04	Assigned to Mode 4	Not assigned to Mode 4
OFF <input type="text"/>	05	Assigned to Mode 5	Not assigned to Mode 5
OFF <input type="text"/>	06	Assigned to Mode 6	Not assigned to Mode 6
OFF <input type="text"/>	07	Assigned to Mode 7	Not assigned to Mode 7
OFF <input type="text"/>	08	Assigned to Mode 8	Not assigned to Mode 8

e.g. [134] Item 1 Schedule/Output Condition

Default: 00 (Valid Entries are 00-04) (See Sections [401]-[432] for PGM Output Assignment)

- | | |
|--|------------------------------|
| [00] No Schedule or PGM Output control | [03] Schedule OR PGM Output |
| [01] PGM Output control only | [04] Schedule AND PGM Output |
| [02] Schedule control only | |

P R O G R A M M I N G W O R K S H E E T S

- Item 1** **[130]** House Code & Unit Number
- [131]** Miscellaneous options 01,02,03,04,05,06,07,08,09,10,
- [132]** Schedule Assignment 01,02,03,04,05,06,07,08,09,10,11,12,13,14,15,16,
- [133]** Mode Assignment 01,02,03,04,05,06,07,08,
- [134]** Schedule/Output Condition
- Item 2** **[135]** House Code & Unit Number
- [136]** Miscellaneous options 01,02,03,04,05,06,07,08,09,10,
- [137]** Schedule Assignment 01,02,03,04,05,06,07,08,09,10,11,12,13,14,15,16,
- [138]** Mode Assignment 01,02,03,04,05,06,07,08,
- [139]** Schedule/Output Condition
- Item 3** **[140]** House Code & Unit Number
- [141]** Miscellaneous options 01,02,03,04,05,06,07,08,09,10,
- [142]** Schedule Assignment 01,02,03,04,05,06,07,08,09,10,11,12,13,14,15,16,
- [143]** Mode Assignment 01,02,03,04,05,06,07,08,
- [144]** Schedule/Output Condition
- Item 4** **[145]** House Code & Unit Number
- [146]** Miscellaneous options 01,02,03,04,05,06,07,08,09,10,
- [147]** Schedule Assignment 01,02,03,04,05,06,07,08,09,10,11,12,13,14,15,16,
- [148]** Mode Assignment 01,02,03,04,05,06,07,08,
- [149]** Schedule/Output Condition
- Item 5** **[150]** House Code & Unit Number
- [151]** Miscellaneous options 01,02,03,04,05,06,07,08,09,10,
- [152]** Schedule Assignment 01,02,03,04,05,06,07,08,09,10,11,12,13,14,15,16,
- [153]** Mode Assignment 01,02,03,04,05,06,07,08,
- [154]** Schedule/Output Condition
- Item 6** **[155]** House Code & Unit Number
- [156]** Miscellaneous options 01,02,03,04,05,06,07,08,09,10,
- [157]** Schedule Assignment 01,02,03,04,05,06,07,08,09,10,11,12,13,14,15,16,
- [158]** Mode Assignment 01,02,03,04,05,06,07,08,
- [159]** Schedule/Output Condition

P R O G R A M M I N G W O R K S H E E T S

- Item 7** **[160]** House Code & Unit Number
- [161]** Miscellaneous options
- [162]** Schedule Assignment
- [163]** Mode Assignment
- [164]** Schedule/Output Condition
- Item 8** **[165]** House Code & Unit Number
- [166]** Miscellaneous options
- [167]** Schedule Assignment
- [168]** Mode Assignment
- [169]** Schedule/Output Condition
- Item 9** **[170]** House Code & Unit Number
- [171]** Miscellaneous options
- [172]** Schedule Assignment
- [173]** Mode Assignment
- [174]** Schedule/Output Condition
- Item 10** **[175]** House Code & Unit Number
- [176]** Miscellaneous options
- [177]** Schedule Assignment
- [178]** Mode Assignment
- [179]** Schedule/Output Condition
- Item 11** **[180]** House Code & Unit Number
- [181]** Miscellaneous options
- [182]** Schedule Assignment
- [183]** Mode Assignment
- [184]** Schedule/Output Condition
- Item 12** **[185]** House Code & Unit Number
- [186]** Miscellaneous options
- [187]** Schedule Assignment
- [188]** Mode Assignment
- [189]** Schedule/Output Condition

P R O G R A M M I N G W O R K S H E E T S

- Item 13]** **[190]** House Code & Unit Number
- [191]** Miscellaneous options 01,02,03,04,05,06,07,08,09,10,
- [192]** Schedule Assignment 01,02,03,04,05,06,07,08,09,10,11,12,13,14,15,16,
- [193]** Mode Assignment 01,02,03,04,05,06,07,08,
- [194]** Schedule/Output Condition
- Item 14]** **[195]** House Code & Unit Number
- [196]** Miscellaneous options 01,02,03,04,05,06,07,08,09,10,
- [197]** Schedule Assignment 01,02,03,04,05,06,07,08,09,10,11,12,13,14,15,16,
- [198]** Mode Assignment 01,02,03,04,05,06,07,08,
- [199]** Schedule/Output Condition
- Item 15]** **[200]** House Code & Unit Number
- [201]** Miscellaneous options 01,02,03,04,05,06,07,08,09,10,
- [202]** Schedule Assignment 01,02,03,04,05,06,07,08,09,10,11,12,13,14,15,16,
- [203]** Mode Assignment 01,02,03,04,05,06,07,08,
- [204]** Schedule/Output Condition
- Item 16]** **[205]** House Code & Unit Number
- [206]** Miscellaneous options 01,02,03,04,05,06,07,08,09,10,
- [207]** Schedule Assignment 01,02,03,04,05,06,07,08,09,10,11,12,13,14,15,16,
- [208]** Mode Assignment 01,02,03,04,05,06,07,08,
- [209]** Schedule/Output Condition
- Item 17]** **[210]** House Code & Unit Number
- [211]** Miscellaneous options 01,02,03,04,05,06,07,08,09,10,
- [212]** Schedule Assignment 01,02,03,04,05,06,07,08,09,10,11,12,13,14,15,16,
- [213]** Mode Assignment 01,02,03,04,05,06,07,08,
- [214]** Schedule/Output Condition
- Item 18]** **[215]** House Code & Unit Number
- [216]** Miscellaneous options 01,02,03,04,05,06,07,08,09,10,
- [217]** Schedule Assignment 01,02,03,04,05,06,07,08,09,10,11,12,13,14,15,16,
- [218]** Mode Assignment 01,02,03,04,05,06,07,08,
- [219]** Schedule/Output Condition

P R O G R A M M I N G W O R K S H E E T S

- Item 19** **[220]** House Code & Unit Number
- [221]** Miscellaneous options 01,02,03,04,05,06,07,08,09,10,
- [222]** Schedule Assignment 01,02,03,04,05,06,07,08,09,10,11,12,13,14,15,16,
- [223]** Mode Assignment 01,02,03,04,05,06,07,08,
- [224]** Schedule/Output Condition
- Item 20** **[225]** House Code & Unit Number
- [226]** Miscellaneous options 01,02,03,04,05,06,07,08,09,10,
- [227]** Schedule Assignment 01,02,03,04,05,06,07,08,09,10,11,12,13,14,15,16,
- [228]** Mode Assignment 01,02,03,04,05,06,07,08,
- [229]** Schedule/Output Condition
- Item 21** **[230]** House Code & Unit Number
- [231]** Miscellaneous options 01,02,03,04,05,06,07,08,09,10,
- [232]** Schedule Assignment 01,02,03,04,05,06,07,08,09,10,11,12,13,14,15,16,
- [233]** Mode Assignment 01,02,03,04,05,06,07,08,
- [234]** Schedule/Output Condition
- Item 22** **[235]** House Code & Unit Number
- [236]** Miscellaneous options 01,02,03,04,05,06,07,08,09,10,
- [237]** Schedule Assignment 01,02,03,04,05,06,07,08,09,10,11,12,13,14,15,16,
- [238]** Mode Assignment 01,02,03,04,05,06,07,08,
- [239]** Schedule/Output Condition
- Item 23** **[240]** House Code & Unit Number
- [241]** Miscellaneous options 01,02,03,04,05,06,07,08,09,10,
- [242]** Schedule Assignment 01,02,03,04,05,06,07,08,09,10,11,12,13,14,15,16,
- [243]** Mode Assignment 01,02,03,04,05,06,07,08,
- [244]** Schedule/Output Condition
- Item 24** **[245]** House Code & Unit Number
- [246]** Miscellaneous options 01,02,03,04,05,06,07,08,09,10,
- [247]** Schedule Assignment 01,02,03,04,05,06,07,08,09,10,11,12,13,14,15,16,
- [248]** Mode Assignment 01,02,03,04,05,06,07,08,
- [249]** Schedule/Output Condition

P R O G R A M M I N G W O R K S H E E T S

- Item 25** **[250]** House Code & Unit Number
- [251]** Miscellaneous options 01,02,03,04,05,06,07,08,09,10,
- [252]** Schedule Assignment 01,02,03,04,05,06,07,08,09,10,11,12,13,14,15,16,
- [253]** Mode Assignment 01,02,03,04,05,06,07,08,
- [254]** Schedule/Output Condition
- Item 26** **[255]** House Code & Unit Number
- [256]** Miscellaneous options 01,02,03,04,05,06,07,08,09,10,
- [257]** Schedule Assignment 01,02,03,04,05,06,07,08,09,10,11,12,13,14,15,16,
- [258]** Mode Assignment 01,02,03,04,05,06,07,08,
- [259]** Schedule/Output Condition
- Item 27** **[260]** House Code & Unit Number
- [261]** Miscellaneous options 01,02,03,04,05,06,07,08,09,10,
- [262]** Schedule Assignment 01,02,03,04,05,06,07,08,09,10,11,12,13,14,15,16,
- [263]** Mode Assignment 01,02,03,04,05,06,07,08,
- [264]** Schedule/Output Condition
- Item 28** **[265]** House Code & Unit Number
- [266]** Miscellaneous options 01,02,03,04,05,06,07,08,09,10,
- [267]** Schedule Assignment 01,02,03,04,05,06,07,08,09,10,11,12,13,14,15,16,
- [268]** Mode Assignment 01,02,03,04,05,06,07,08,
- [269]** Schedule/Output Condition
- Item 29** **[270]** House Code & Unit Number
- [271]** Miscellaneous options 01,02,03,04,05,06,07,08,09,10,
- [272]** Schedule Assignment 01,02,03,04,05,06,07,08,09,10,11,12,13,14,15,16,
- [273]** Mode Assignment 01,02,03,04,05,06,07,08,
- [274]** Schedule/Output Condition
- Item 30** **[275]** House Code & Unit Number
- [276]** Miscellaneous options 01,02,03,04,05,06,07,08,09,10,
- [277]** Schedule Assignment 01,02,03,04,05,06,07,08,09,10,11,12,13,14,15,16,
- [278]** Mode Assignment 01,02,03,04,05,06,07,08,
- [279]** Schedule/Output Condition

P R O G R A M M I N G W O R K S H E E T S

- Item 31**
- [280]** House Code & Unit Number
 - [281]** Miscellaneous options
 - [282]** Schedule Assignment
 - [283]** Mode Assignment
 - [284]** Schedule/Output Condition
- Item 32**
- [285]** House Code & Unit Number
 - [286]** Miscellaneous options
 - [287]** Schedule Assignment
 - [288]** Mode Assignment
 - [289]** Schedule/Output Condition

Automation Item Zone Follower Assignments

[290] Zone Follower Timer

Default

010 (Valid entries are 001-254 minutes; 255=infinite)

[291] Zone Follower Items

NOTE: Automation Items will not follow momentary or maintained keyswitch zones or forced answer zones

Zones are divided into 2 banks; bank 1 = zones 1-16, bank 2 = zones 17-32. To assign an automation item to follow a zone:

1. Enter section [291].
2. Enter the 2-digit automation item number (01-32)
3. Enter a 1-digit bank number (1-2)
4. Enter a 2-digit option number corresponding to the zone you want the automation item to follow (01-16).
(Option ON= follows Zone X; Option OFF= does not follow Zone X)
5. Record your programming on the next 2 pages.

P R O G R A M M I N G W O R K S H E E T S

Default: OFF

Bank [1] (Zones 1-16)

Option:	01	02	03	04	05	06	07	08	09	10	11	12	13	14	15	16
(Zone):	1	2	3	4	5	6	7	8	9	10	11	12	13	14	15	16

Item																
[01]	<input type="checkbox"/>	<input type="checkbox"/>	<input type="checkbox"/>	<input type="checkbox"/>	<input type="checkbox"/>	<input type="checkbox"/>	<input type="checkbox"/>	<input type="checkbox"/>	<input type="checkbox"/>	<input type="checkbox"/>	<input type="checkbox"/>	<input type="checkbox"/>	<input type="checkbox"/>	<input type="checkbox"/>	<input type="checkbox"/>	<input type="checkbox"/>
[02]	<input type="checkbox"/>	<input type="checkbox"/>	<input type="checkbox"/>	<input type="checkbox"/>	<input type="checkbox"/>	<input type="checkbox"/>	<input type="checkbox"/>	<input type="checkbox"/>	<input type="checkbox"/>	<input type="checkbox"/>	<input type="checkbox"/>	<input type="checkbox"/>	<input type="checkbox"/>	<input type="checkbox"/>	<input type="checkbox"/>	<input type="checkbox"/>
[03]	<input type="checkbox"/>	<input type="checkbox"/>	<input type="checkbox"/>	<input type="checkbox"/>	<input type="checkbox"/>	<input type="checkbox"/>	<input type="checkbox"/>	<input type="checkbox"/>	<input type="checkbox"/>	<input type="checkbox"/>	<input type="checkbox"/>	<input type="checkbox"/>	<input type="checkbox"/>	<input type="checkbox"/>	<input type="checkbox"/>	<input type="checkbox"/>
[04]	<input type="checkbox"/>	<input type="checkbox"/>	<input type="checkbox"/>	<input type="checkbox"/>	<input type="checkbox"/>	<input type="checkbox"/>	<input type="checkbox"/>	<input type="checkbox"/>	<input type="checkbox"/>	<input type="checkbox"/>	<input type="checkbox"/>	<input type="checkbox"/>	<input type="checkbox"/>	<input type="checkbox"/>	<input type="checkbox"/>	<input type="checkbox"/>
[05]	<input type="checkbox"/>	<input type="checkbox"/>	<input type="checkbox"/>	<input type="checkbox"/>	<input type="checkbox"/>	<input type="checkbox"/>	<input type="checkbox"/>	<input type="checkbox"/>	<input type="checkbox"/>	<input type="checkbox"/>	<input type="checkbox"/>	<input type="checkbox"/>	<input type="checkbox"/>	<input type="checkbox"/>	<input type="checkbox"/>	<input type="checkbox"/>
[06]	<input type="checkbox"/>	<input type="checkbox"/>	<input type="checkbox"/>	<input type="checkbox"/>	<input type="checkbox"/>	<input type="checkbox"/>	<input type="checkbox"/>	<input type="checkbox"/>	<input type="checkbox"/>	<input type="checkbox"/>	<input type="checkbox"/>	<input type="checkbox"/>	<input type="checkbox"/>	<input type="checkbox"/>	<input type="checkbox"/>	<input type="checkbox"/>
[07]	<input type="checkbox"/>	<input type="checkbox"/>	<input type="checkbox"/>	<input type="checkbox"/>	<input type="checkbox"/>	<input type="checkbox"/>	<input type="checkbox"/>	<input type="checkbox"/>	<input type="checkbox"/>	<input type="checkbox"/>	<input type="checkbox"/>	<input type="checkbox"/>	<input type="checkbox"/>	<input type="checkbox"/>	<input type="checkbox"/>	<input type="checkbox"/>
[08]	<input type="checkbox"/>	<input type="checkbox"/>	<input type="checkbox"/>	<input type="checkbox"/>	<input type="checkbox"/>	<input type="checkbox"/>	<input type="checkbox"/>	<input type="checkbox"/>	<input type="checkbox"/>	<input type="checkbox"/>	<input type="checkbox"/>	<input type="checkbox"/>	<input type="checkbox"/>	<input type="checkbox"/>	<input type="checkbox"/>	<input type="checkbox"/>
[09]	<input type="checkbox"/>	<input type="checkbox"/>	<input type="checkbox"/>	<input type="checkbox"/>	<input type="checkbox"/>	<input type="checkbox"/>	<input type="checkbox"/>	<input type="checkbox"/>	<input type="checkbox"/>	<input type="checkbox"/>	<input type="checkbox"/>	<input type="checkbox"/>	<input type="checkbox"/>	<input type="checkbox"/>	<input type="checkbox"/>	<input type="checkbox"/>
[10]	<input type="checkbox"/>	<input type="checkbox"/>	<input type="checkbox"/>	<input type="checkbox"/>	<input type="checkbox"/>	<input type="checkbox"/>	<input type="checkbox"/>	<input type="checkbox"/>	<input type="checkbox"/>	<input type="checkbox"/>	<input type="checkbox"/>	<input type="checkbox"/>	<input type="checkbox"/>	<input type="checkbox"/>	<input type="checkbox"/>	<input type="checkbox"/>
[11]	<input type="checkbox"/>	<input type="checkbox"/>	<input type="checkbox"/>	<input type="checkbox"/>	<input type="checkbox"/>	<input type="checkbox"/>	<input type="checkbox"/>	<input type="checkbox"/>	<input type="checkbox"/>	<input type="checkbox"/>	<input type="checkbox"/>	<input type="checkbox"/>	<input type="checkbox"/>	<input type="checkbox"/>	<input type="checkbox"/>	<input type="checkbox"/>
[12]	<input type="checkbox"/>	<input type="checkbox"/>	<input type="checkbox"/>	<input type="checkbox"/>	<input type="checkbox"/>	<input type="checkbox"/>	<input type="checkbox"/>	<input type="checkbox"/>	<input type="checkbox"/>	<input type="checkbox"/>	<input type="checkbox"/>	<input type="checkbox"/>	<input type="checkbox"/>	<input type="checkbox"/>	<input type="checkbox"/>	<input type="checkbox"/>
[13]	<input type="checkbox"/>	<input type="checkbox"/>	<input type="checkbox"/>	<input type="checkbox"/>	<input type="checkbox"/>	<input type="checkbox"/>	<input type="checkbox"/>	<input type="checkbox"/>	<input type="checkbox"/>	<input type="checkbox"/>	<input type="checkbox"/>	<input type="checkbox"/>	<input type="checkbox"/>	<input type="checkbox"/>	<input type="checkbox"/>	<input type="checkbox"/>
[14]	<input type="checkbox"/>	<input type="checkbox"/>	<input type="checkbox"/>	<input type="checkbox"/>	<input type="checkbox"/>	<input type="checkbox"/>	<input type="checkbox"/>	<input type="checkbox"/>	<input type="checkbox"/>	<input type="checkbox"/>	<input type="checkbox"/>	<input type="checkbox"/>	<input type="checkbox"/>	<input type="checkbox"/>	<input type="checkbox"/>	<input type="checkbox"/>
[15]	<input type="checkbox"/>	<input type="checkbox"/>	<input type="checkbox"/>	<input type="checkbox"/>	<input type="checkbox"/>	<input type="checkbox"/>	<input type="checkbox"/>	<input type="checkbox"/>	<input type="checkbox"/>	<input type="checkbox"/>	<input type="checkbox"/>	<input type="checkbox"/>	<input type="checkbox"/>	<input type="checkbox"/>	<input type="checkbox"/>	<input type="checkbox"/>
[16]	<input type="checkbox"/>	<input type="checkbox"/>	<input type="checkbox"/>	<input type="checkbox"/>	<input type="checkbox"/>	<input type="checkbox"/>	<input type="checkbox"/>	<input type="checkbox"/>	<input type="checkbox"/>	<input type="checkbox"/>	<input type="checkbox"/>	<input type="checkbox"/>	<input type="checkbox"/>	<input type="checkbox"/>	<input type="checkbox"/>	<input type="checkbox"/>
[17]	<input type="checkbox"/>	<input type="checkbox"/>	<input type="checkbox"/>	<input type="checkbox"/>	<input type="checkbox"/>	<input type="checkbox"/>	<input type="checkbox"/>	<input type="checkbox"/>	<input type="checkbox"/>	<input type="checkbox"/>	<input type="checkbox"/>	<input type="checkbox"/>	<input type="checkbox"/>	<input type="checkbox"/>	<input type="checkbox"/>	<input type="checkbox"/>
[18]	<input type="checkbox"/>	<input type="checkbox"/>	<input type="checkbox"/>	<input type="checkbox"/>	<input type="checkbox"/>	<input type="checkbox"/>	<input type="checkbox"/>	<input type="checkbox"/>	<input type="checkbox"/>	<input type="checkbox"/>	<input type="checkbox"/>	<input type="checkbox"/>	<input type="checkbox"/>	<input type="checkbox"/>	<input type="checkbox"/>	<input type="checkbox"/>
[19]	<input type="checkbox"/>	<input type="checkbox"/>	<input type="checkbox"/>	<input type="checkbox"/>	<input type="checkbox"/>	<input type="checkbox"/>	<input type="checkbox"/>	<input type="checkbox"/>	<input type="checkbox"/>	<input type="checkbox"/>	<input type="checkbox"/>	<input type="checkbox"/>	<input type="checkbox"/>	<input type="checkbox"/>	<input type="checkbox"/>	<input type="checkbox"/>
[20]	<input type="checkbox"/>	<input type="checkbox"/>	<input type="checkbox"/>	<input type="checkbox"/>	<input type="checkbox"/>	<input type="checkbox"/>	<input type="checkbox"/>	<input type="checkbox"/>	<input type="checkbox"/>	<input type="checkbox"/>	<input type="checkbox"/>	<input type="checkbox"/>	<input type="checkbox"/>	<input type="checkbox"/>	<input type="checkbox"/>	<input type="checkbox"/>
[21]	<input type="checkbox"/>	<input type="checkbox"/>	<input type="checkbox"/>	<input type="checkbox"/>	<input type="checkbox"/>	<input type="checkbox"/>	<input type="checkbox"/>	<input type="checkbox"/>	<input type="checkbox"/>	<input type="checkbox"/>	<input type="checkbox"/>	<input type="checkbox"/>	<input type="checkbox"/>	<input type="checkbox"/>	<input type="checkbox"/>	<input type="checkbox"/>
[22]	<input type="checkbox"/>	<input type="checkbox"/>	<input type="checkbox"/>	<input type="checkbox"/>	<input type="checkbox"/>	<input type="checkbox"/>	<input type="checkbox"/>	<input type="checkbox"/>	<input type="checkbox"/>	<input type="checkbox"/>	<input type="checkbox"/>	<input type="checkbox"/>	<input type="checkbox"/>	<input type="checkbox"/>	<input type="checkbox"/>	<input type="checkbox"/>
[23]	<input type="checkbox"/>	<input type="checkbox"/>	<input type="checkbox"/>	<input type="checkbox"/>	<input type="checkbox"/>	<input type="checkbox"/>	<input type="checkbox"/>	<input type="checkbox"/>	<input type="checkbox"/>	<input type="checkbox"/>	<input type="checkbox"/>	<input type="checkbox"/>	<input type="checkbox"/>	<input type="checkbox"/>	<input type="checkbox"/>	<input type="checkbox"/>
[24]	<input type="checkbox"/>	<input type="checkbox"/>	<input type="checkbox"/>	<input type="checkbox"/>	<input type="checkbox"/>	<input type="checkbox"/>	<input type="checkbox"/>	<input type="checkbox"/>	<input type="checkbox"/>	<input type="checkbox"/>	<input type="checkbox"/>	<input type="checkbox"/>	<input type="checkbox"/>	<input type="checkbox"/>	<input type="checkbox"/>	<input type="checkbox"/>
[25]	<input type="checkbox"/>	<input type="checkbox"/>	<input type="checkbox"/>	<input type="checkbox"/>	<input type="checkbox"/>	<input type="checkbox"/>	<input type="checkbox"/>	<input type="checkbox"/>	<input type="checkbox"/>	<input type="checkbox"/>	<input type="checkbox"/>	<input type="checkbox"/>	<input type="checkbox"/>	<input type="checkbox"/>	<input type="checkbox"/>	<input type="checkbox"/>
[26]	<input type="checkbox"/>	<input type="checkbox"/>	<input type="checkbox"/>	<input type="checkbox"/>	<input type="checkbox"/>	<input type="checkbox"/>	<input type="checkbox"/>	<input type="checkbox"/>	<input type="checkbox"/>	<input type="checkbox"/>	<input type="checkbox"/>	<input type="checkbox"/>	<input type="checkbox"/>	<input type="checkbox"/>	<input type="checkbox"/>	<input type="checkbox"/>
[27]	<input type="checkbox"/>	<input type="checkbox"/>	<input type="checkbox"/>	<input type="checkbox"/>	<input type="checkbox"/>	<input type="checkbox"/>	<input type="checkbox"/>	<input type="checkbox"/>	<input type="checkbox"/>	<input type="checkbox"/>	<input type="checkbox"/>	<input type="checkbox"/>	<input type="checkbox"/>	<input type="checkbox"/>	<input type="checkbox"/>	<input type="checkbox"/>
[28]	<input type="checkbox"/>	<input type="checkbox"/>	<input type="checkbox"/>	<input type="checkbox"/>	<input type="checkbox"/>	<input type="checkbox"/>	<input type="checkbox"/>	<input type="checkbox"/>	<input type="checkbox"/>	<input type="checkbox"/>	<input type="checkbox"/>	<input type="checkbox"/>	<input type="checkbox"/>	<input type="checkbox"/>	<input type="checkbox"/>	<input type="checkbox"/>
[29]	<input type="checkbox"/>	<input type="checkbox"/>	<input type="checkbox"/>	<input type="checkbox"/>	<input type="checkbox"/>	<input type="checkbox"/>	<input type="checkbox"/>	<input type="checkbox"/>	<input type="checkbox"/>	<input type="checkbox"/>	<input type="checkbox"/>	<input type="checkbox"/>	<input type="checkbox"/>	<input type="checkbox"/>	<input type="checkbox"/>	<input type="checkbox"/>
[30]	<input type="checkbox"/>	<input type="checkbox"/>	<input type="checkbox"/>	<input type="checkbox"/>	<input type="checkbox"/>	<input type="checkbox"/>	<input type="checkbox"/>	<input type="checkbox"/>	<input type="checkbox"/>	<input type="checkbox"/>	<input type="checkbox"/>	<input type="checkbox"/>	<input type="checkbox"/>	<input type="checkbox"/>	<input type="checkbox"/>	<input type="checkbox"/>
[31]	<input type="checkbox"/>	<input type="checkbox"/>	<input type="checkbox"/>	<input type="checkbox"/>	<input type="checkbox"/>	<input type="checkbox"/>	<input type="checkbox"/>	<input type="checkbox"/>	<input type="checkbox"/>	<input type="checkbox"/>	<input type="checkbox"/>	<input type="checkbox"/>	<input type="checkbox"/>	<input type="checkbox"/>	<input type="checkbox"/>	<input type="checkbox"/>
[32]	<input type="checkbox"/>	<input type="checkbox"/>	<input type="checkbox"/>	<input type="checkbox"/>	<input type="checkbox"/>	<input type="checkbox"/>	<input type="checkbox"/>	<input type="checkbox"/>	<input type="checkbox"/>	<input type="checkbox"/>	<input type="checkbox"/>	<input type="checkbox"/>	<input type="checkbox"/>	<input type="checkbox"/>	<input type="checkbox"/>	<input type="checkbox"/>

P R O G R A M M I N G W O R K S H E E T S

Bank [2] (Zones 17-32)

Option:	01	02	03	04	05	06	07	08	09	10	11	12	13	14	15	16
(Zone):	17	18	19	20	21	22	23	24	25	26	27	28	29	30	31	32

Item

[01]	<input type="checkbox"/>	<input type="checkbox"/>	<input type="checkbox"/>	<input type="checkbox"/>	<input type="checkbox"/>	<input type="checkbox"/>	<input type="checkbox"/>	<input type="checkbox"/>	<input type="checkbox"/>	<input type="checkbox"/>	<input type="checkbox"/>	<input type="checkbox"/>	<input type="checkbox"/>	<input type="checkbox"/>	<input type="checkbox"/>	<input type="checkbox"/>
[02]	<input type="checkbox"/>	<input type="checkbox"/>	<input type="checkbox"/>	<input type="checkbox"/>	<input type="checkbox"/>	<input type="checkbox"/>	<input type="checkbox"/>	<input type="checkbox"/>	<input type="checkbox"/>	<input type="checkbox"/>	<input type="checkbox"/>	<input type="checkbox"/>	<input type="checkbox"/>	<input type="checkbox"/>	<input type="checkbox"/>	<input type="checkbox"/>
[03]	<input type="checkbox"/>	<input type="checkbox"/>	<input type="checkbox"/>	<input type="checkbox"/>	<input type="checkbox"/>	<input type="checkbox"/>	<input type="checkbox"/>	<input type="checkbox"/>	<input type="checkbox"/>	<input type="checkbox"/>	<input type="checkbox"/>	<input type="checkbox"/>	<input type="checkbox"/>	<input type="checkbox"/>	<input type="checkbox"/>	<input type="checkbox"/>
[04]	<input type="checkbox"/>	<input type="checkbox"/>	<input type="checkbox"/>	<input type="checkbox"/>	<input type="checkbox"/>	<input type="checkbox"/>	<input type="checkbox"/>	<input type="checkbox"/>	<input type="checkbox"/>	<input type="checkbox"/>	<input type="checkbox"/>	<input type="checkbox"/>	<input type="checkbox"/>	<input type="checkbox"/>	<input type="checkbox"/>	<input type="checkbox"/>
[05]	<input type="checkbox"/>	<input type="checkbox"/>	<input type="checkbox"/>	<input type="checkbox"/>	<input type="checkbox"/>	<input type="checkbox"/>	<input type="checkbox"/>	<input type="checkbox"/>	<input type="checkbox"/>	<input type="checkbox"/>	<input type="checkbox"/>	<input type="checkbox"/>	<input type="checkbox"/>	<input type="checkbox"/>	<input type="checkbox"/>	<input type="checkbox"/>
[06]	<input type="checkbox"/>	<input type="checkbox"/>	<input type="checkbox"/>	<input type="checkbox"/>	<input type="checkbox"/>	<input type="checkbox"/>	<input type="checkbox"/>	<input type="checkbox"/>	<input type="checkbox"/>	<input type="checkbox"/>	<input type="checkbox"/>	<input type="checkbox"/>	<input type="checkbox"/>	<input type="checkbox"/>	<input type="checkbox"/>	<input type="checkbox"/>
[07]	<input type="checkbox"/>	<input type="checkbox"/>	<input type="checkbox"/>	<input type="checkbox"/>	<input type="checkbox"/>	<input type="checkbox"/>	<input type="checkbox"/>	<input type="checkbox"/>	<input type="checkbox"/>	<input type="checkbox"/>	<input type="checkbox"/>	<input type="checkbox"/>	<input type="checkbox"/>	<input type="checkbox"/>	<input type="checkbox"/>	<input type="checkbox"/>
[08]	<input type="checkbox"/>	<input type="checkbox"/>	<input type="checkbox"/>	<input type="checkbox"/>	<input type="checkbox"/>	<input type="checkbox"/>	<input type="checkbox"/>	<input type="checkbox"/>	<input type="checkbox"/>	<input type="checkbox"/>	<input type="checkbox"/>	<input type="checkbox"/>	<input type="checkbox"/>	<input type="checkbox"/>	<input type="checkbox"/>	<input type="checkbox"/>
[09]	<input type="checkbox"/>	<input type="checkbox"/>	<input type="checkbox"/>	<input type="checkbox"/>	<input type="checkbox"/>	<input type="checkbox"/>	<input type="checkbox"/>	<input type="checkbox"/>	<input type="checkbox"/>	<input type="checkbox"/>	<input type="checkbox"/>	<input type="checkbox"/>	<input type="checkbox"/>	<input type="checkbox"/>	<input type="checkbox"/>	<input type="checkbox"/>
[10]	<input type="checkbox"/>	<input type="checkbox"/>	<input type="checkbox"/>	<input type="checkbox"/>	<input type="checkbox"/>	<input type="checkbox"/>	<input type="checkbox"/>	<input type="checkbox"/>	<input type="checkbox"/>	<input type="checkbox"/>	<input type="checkbox"/>	<input type="checkbox"/>	<input type="checkbox"/>	<input type="checkbox"/>	<input type="checkbox"/>	<input type="checkbox"/>
[11]	<input type="checkbox"/>	<input type="checkbox"/>	<input type="checkbox"/>	<input type="checkbox"/>	<input type="checkbox"/>	<input type="checkbox"/>	<input type="checkbox"/>	<input type="checkbox"/>	<input type="checkbox"/>	<input type="checkbox"/>	<input type="checkbox"/>	<input type="checkbox"/>	<input type="checkbox"/>	<input type="checkbox"/>	<input type="checkbox"/>	<input type="checkbox"/>
[12]	<input type="checkbox"/>	<input type="checkbox"/>	<input type="checkbox"/>	<input type="checkbox"/>	<input type="checkbox"/>	<input type="checkbox"/>	<input type="checkbox"/>	<input type="checkbox"/>	<input type="checkbox"/>	<input type="checkbox"/>	<input type="checkbox"/>	<input type="checkbox"/>	<input type="checkbox"/>	<input type="checkbox"/>	<input type="checkbox"/>	<input type="checkbox"/>
[13]	<input type="checkbox"/>	<input type="checkbox"/>	<input type="checkbox"/>	<input type="checkbox"/>	<input type="checkbox"/>	<input type="checkbox"/>	<input type="checkbox"/>	<input type="checkbox"/>	<input type="checkbox"/>	<input type="checkbox"/>	<input type="checkbox"/>	<input type="checkbox"/>	<input type="checkbox"/>	<input type="checkbox"/>	<input type="checkbox"/>	<input type="checkbox"/>
[14]	<input type="checkbox"/>	<input type="checkbox"/>	<input type="checkbox"/>	<input type="checkbox"/>	<input type="checkbox"/>	<input type="checkbox"/>	<input type="checkbox"/>	<input type="checkbox"/>	<input type="checkbox"/>	<input type="checkbox"/>	<input type="checkbox"/>	<input type="checkbox"/>	<input type="checkbox"/>	<input type="checkbox"/>	<input type="checkbox"/>	<input type="checkbox"/>
[15]	<input type="checkbox"/>	<input type="checkbox"/>	<input type="checkbox"/>	<input type="checkbox"/>	<input type="checkbox"/>	<input type="checkbox"/>	<input type="checkbox"/>	<input type="checkbox"/>	<input type="checkbox"/>	<input type="checkbox"/>	<input type="checkbox"/>	<input type="checkbox"/>	<input type="checkbox"/>	<input type="checkbox"/>	<input type="checkbox"/>	<input type="checkbox"/>
[16]	<input type="checkbox"/>	<input type="checkbox"/>	<input type="checkbox"/>	<input type="checkbox"/>	<input type="checkbox"/>	<input type="checkbox"/>	<input type="checkbox"/>	<input type="checkbox"/>	<input type="checkbox"/>	<input type="checkbox"/>	<input type="checkbox"/>	<input type="checkbox"/>	<input type="checkbox"/>	<input type="checkbox"/>	<input type="checkbox"/>	<input type="checkbox"/>
[17]	<input type="checkbox"/>	<input type="checkbox"/>	<input type="checkbox"/>	<input type="checkbox"/>	<input type="checkbox"/>	<input type="checkbox"/>	<input type="checkbox"/>	<input type="checkbox"/>	<input type="checkbox"/>	<input type="checkbox"/>	<input type="checkbox"/>	<input type="checkbox"/>	<input type="checkbox"/>	<input type="checkbox"/>	<input type="checkbox"/>	<input type="checkbox"/>
[18]	<input type="checkbox"/>	<input type="checkbox"/>	<input type="checkbox"/>	<input type="checkbox"/>	<input type="checkbox"/>	<input type="checkbox"/>	<input type="checkbox"/>	<input type="checkbox"/>	<input type="checkbox"/>	<input type="checkbox"/>	<input type="checkbox"/>	<input type="checkbox"/>	<input type="checkbox"/>	<input type="checkbox"/>	<input type="checkbox"/>	<input type="checkbox"/>
[19]	<input type="checkbox"/>	<input type="checkbox"/>	<input type="checkbox"/>	<input type="checkbox"/>	<input type="checkbox"/>	<input type="checkbox"/>	<input type="checkbox"/>	<input type="checkbox"/>	<input type="checkbox"/>	<input type="checkbox"/>	<input type="checkbox"/>	<input type="checkbox"/>	<input type="checkbox"/>	<input type="checkbox"/>	<input type="checkbox"/>	<input type="checkbox"/>
[20]	<input type="checkbox"/>	<input type="checkbox"/>	<input type="checkbox"/>	<input type="checkbox"/>	<input type="checkbox"/>	<input type="checkbox"/>	<input type="checkbox"/>	<input type="checkbox"/>	<input type="checkbox"/>	<input type="checkbox"/>	<input type="checkbox"/>	<input type="checkbox"/>	<input type="checkbox"/>	<input type="checkbox"/>	<input type="checkbox"/>	<input type="checkbox"/>
[21]	<input type="checkbox"/>	<input type="checkbox"/>	<input type="checkbox"/>	<input type="checkbox"/>	<input type="checkbox"/>	<input type="checkbox"/>	<input type="checkbox"/>	<input type="checkbox"/>	<input type="checkbox"/>	<input type="checkbox"/>	<input type="checkbox"/>	<input type="checkbox"/>	<input type="checkbox"/>	<input type="checkbox"/>	<input type="checkbox"/>	<input type="checkbox"/>
[22]	<input type="checkbox"/>	<input type="checkbox"/>	<input type="checkbox"/>	<input type="checkbox"/>	<input type="checkbox"/>	<input type="checkbox"/>	<input type="checkbox"/>	<input type="checkbox"/>	<input type="checkbox"/>	<input type="checkbox"/>	<input type="checkbox"/>	<input type="checkbox"/>	<input type="checkbox"/>	<input type="checkbox"/>	<input type="checkbox"/>	<input type="checkbox"/>
[23]	<input type="checkbox"/>	<input type="checkbox"/>	<input type="checkbox"/>	<input type="checkbox"/>	<input type="checkbox"/>	<input type="checkbox"/>	<input type="checkbox"/>	<input type="checkbox"/>	<input type="checkbox"/>	<input type="checkbox"/>	<input type="checkbox"/>	<input type="checkbox"/>	<input type="checkbox"/>	<input type="checkbox"/>	<input type="checkbox"/>	<input type="checkbox"/>
[24]	<input type="checkbox"/>	<input type="checkbox"/>	<input type="checkbox"/>	<input type="checkbox"/>	<input type="checkbox"/>	<input type="checkbox"/>	<input type="checkbox"/>	<input type="checkbox"/>	<input type="checkbox"/>	<input type="checkbox"/>	<input type="checkbox"/>	<input type="checkbox"/>	<input type="checkbox"/>	<input type="checkbox"/>	<input type="checkbox"/>	<input type="checkbox"/>
[25]	<input type="checkbox"/>	<input type="checkbox"/>	<input type="checkbox"/>	<input type="checkbox"/>	<input type="checkbox"/>	<input type="checkbox"/>	<input type="checkbox"/>	<input type="checkbox"/>	<input type="checkbox"/>	<input type="checkbox"/>	<input type="checkbox"/>	<input type="checkbox"/>	<input type="checkbox"/>	<input type="checkbox"/>	<input type="checkbox"/>	<input type="checkbox"/>
[26]	<input type="checkbox"/>	<input type="checkbox"/>	<input type="checkbox"/>	<input type="checkbox"/>	<input type="checkbox"/>	<input type="checkbox"/>	<input type="checkbox"/>	<input type="checkbox"/>	<input type="checkbox"/>	<input type="checkbox"/>	<input type="checkbox"/>	<input type="checkbox"/>	<input type="checkbox"/>	<input type="checkbox"/>	<input type="checkbox"/>	<input type="checkbox"/>
[27]	<input type="checkbox"/>	<input type="checkbox"/>	<input type="checkbox"/>	<input type="checkbox"/>	<input type="checkbox"/>	<input type="checkbox"/>	<input type="checkbox"/>	<input type="checkbox"/>	<input type="checkbox"/>	<input type="checkbox"/>	<input type="checkbox"/>	<input type="checkbox"/>	<input type="checkbox"/>	<input type="checkbox"/>	<input type="checkbox"/>	<input type="checkbox"/>
[28]	<input type="checkbox"/>	<input type="checkbox"/>	<input type="checkbox"/>	<input type="checkbox"/>	<input type="checkbox"/>	<input type="checkbox"/>	<input type="checkbox"/>	<input type="checkbox"/>	<input type="checkbox"/>	<input type="checkbox"/>	<input type="checkbox"/>	<input type="checkbox"/>	<input type="checkbox"/>	<input type="checkbox"/>	<input type="checkbox"/>	<input type="checkbox"/>
[29]	<input type="checkbox"/>	<input type="checkbox"/>	<input type="checkbox"/>	<input type="checkbox"/>	<input type="checkbox"/>	<input type="checkbox"/>	<input type="checkbox"/>	<input type="checkbox"/>	<input type="checkbox"/>	<input type="checkbox"/>	<input type="checkbox"/>	<input type="checkbox"/>	<input type="checkbox"/>	<input type="checkbox"/>	<input type="checkbox"/>	<input type="checkbox"/>
[30]	<input type="checkbox"/>	<input type="checkbox"/>	<input type="checkbox"/>	<input type="checkbox"/>	<input type="checkbox"/>	<input type="checkbox"/>	<input type="checkbox"/>	<input type="checkbox"/>	<input type="checkbox"/>	<input type="checkbox"/>	<input type="checkbox"/>	<input type="checkbox"/>	<input type="checkbox"/>	<input type="checkbox"/>	<input type="checkbox"/>	<input type="checkbox"/>
[31]	<input type="checkbox"/>	<input type="checkbox"/>	<input type="checkbox"/>	<input type="checkbox"/>	<input type="checkbox"/>	<input type="checkbox"/>	<input type="checkbox"/>	<input type="checkbox"/>	<input type="checkbox"/>	<input type="checkbox"/>	<input type="checkbox"/>	<input type="checkbox"/>	<input type="checkbox"/>	<input type="checkbox"/>	<input type="checkbox"/>	<input type="checkbox"/>
[32]	<input type="checkbox"/>	<input type="checkbox"/>	<input type="checkbox"/>	<input type="checkbox"/>	<input type="checkbox"/>	<input type="checkbox"/>	<input type="checkbox"/>	<input type="checkbox"/>	<input type="checkbox"/>	<input type="checkbox"/>	<input type="checkbox"/>	<input type="checkbox"/>	<input type="checkbox"/>	<input type="checkbox"/>	<input type="checkbox"/>	<input type="checkbox"/>

Assigning Modes to Follow PGM Outputs

[292] PGM Mode Enable

To assign a mode to follow a PGM output:

1. Enter section [292].
2. Enter the 2-digit number corresponding to the PGM output (01-14)
3. Enter a 2-digit option number corresponding to the mode you want to follow the PGM output (01-08).

(Option ON= mode follows PGM output; Option OFF= mode does not follow PGM output)

Default = OFF

Mode:	01	02	03	04	05	06	07	08
PGM Output								
[01]	<input type="checkbox"/>	<input type="checkbox"/>	<input type="checkbox"/>	<input type="checkbox"/>	<input type="checkbox"/>	<input type="checkbox"/>	<input type="checkbox"/>	<input type="checkbox"/>
[02]	<input type="checkbox"/>	<input type="checkbox"/>	<input type="checkbox"/>	<input type="checkbox"/>	<input type="checkbox"/>	<input type="checkbox"/>	<input type="checkbox"/>	<input type="checkbox"/>
[03]	<input type="checkbox"/>	<input type="checkbox"/>	<input type="checkbox"/>	<input type="checkbox"/>	<input type="checkbox"/>	<input type="checkbox"/>	<input type="checkbox"/>	<input type="checkbox"/>
[04]	<input type="checkbox"/>	<input type="checkbox"/>	<input type="checkbox"/>	<input type="checkbox"/>	<input type="checkbox"/>	<input type="checkbox"/>	<input type="checkbox"/>	<input type="checkbox"/>
[05]	<input type="checkbox"/>	<input type="checkbox"/>	<input type="checkbox"/>	<input type="checkbox"/>	<input type="checkbox"/>	<input type="checkbox"/>	<input type="checkbox"/>	<input type="checkbox"/>
[06]	<input type="checkbox"/>	<input type="checkbox"/>	<input type="checkbox"/>	<input type="checkbox"/>	<input type="checkbox"/>	<input type="checkbox"/>	<input type="checkbox"/>	<input type="checkbox"/>
[07]	<input type="checkbox"/>	<input type="checkbox"/>	<input type="checkbox"/>	<input type="checkbox"/>	<input type="checkbox"/>	<input type="checkbox"/>	<input type="checkbox"/>	<input type="checkbox"/>
[08]	<input type="checkbox"/>	<input type="checkbox"/>	<input type="checkbox"/>	<input type="checkbox"/>	<input type="checkbox"/>	<input type="checkbox"/>	<input type="checkbox"/>	<input type="checkbox"/>
[09]	<input type="checkbox"/>	<input type="checkbox"/>	<input type="checkbox"/>	<input type="checkbox"/>	<input type="checkbox"/>	<input type="checkbox"/>	<input type="checkbox"/>	<input type="checkbox"/>
[10]	<input type="checkbox"/>	<input type="checkbox"/>	<input type="checkbox"/>	<input type="checkbox"/>	<input type="checkbox"/>	<input type="checkbox"/>	<input type="checkbox"/>	<input type="checkbox"/>
[11]	<input type="checkbox"/>	<input type="checkbox"/>	<input type="checkbox"/>	<input type="checkbox"/>	<input type="checkbox"/>	<input type="checkbox"/>	<input type="checkbox"/>	<input type="checkbox"/>
[12]	<input type="checkbox"/>	<input type="checkbox"/>	<input type="checkbox"/>	<input type="checkbox"/>	<input type="checkbox"/>	<input type="checkbox"/>	<input type="checkbox"/>	<input type="checkbox"/>
[13]	<input type="checkbox"/>	<input type="checkbox"/>	<input type="checkbox"/>	<input type="checkbox"/>	<input type="checkbox"/>	<input type="checkbox"/>	<input type="checkbox"/>	<input type="checkbox"/>
[14]	<input type="checkbox"/>	<input type="checkbox"/>	<input type="checkbox"/>	<input type="checkbox"/>	<input type="checkbox"/>	<input type="checkbox"/>	<input type="checkbox"/>	<input type="checkbox"/>

Automation Item Pulse Timers

Default: 005 (Valid entries are 000-255 seconds)

- | | | | |
|--|----------------------|--|----------------------|
| [301] Automation Item 1: Pulse Timer | <input type="text"/> | [317] Automation Item 17: Pulse Timer | <input type="text"/> |
| [302] Automation Item 2: Pulse Timer | <input type="text"/> | [318] Automation Item 18: Pulse Timer | <input type="text"/> |
| [303] Automation Item 3: Pulse Timer | <input type="text"/> | [319] Automation Item 19: Pulse Timer | <input type="text"/> |
| [304] Automation Item 4: Pulse Timer | <input type="text"/> | [320] Automation Item 20: Pulse Timer | <input type="text"/> |
| [305] Automation Item 5: Pulse Timer | <input type="text"/> | [321] Automation Item 21: Pulse Timer | <input type="text"/> |
| [306] Automation Item 6: Pulse Timer | <input type="text"/> | [322] Automation Item 22: Pulse Timer | <input type="text"/> |
| [307] Automation Item 7: Pulse Timer | <input type="text"/> | [323] Automation Item 23: Pulse Timer | <input type="text"/> |
| [308] Automation Item 8: Pulse Timer | <input type="text"/> | [324] Automation Item 24: Pulse Timer | <input type="text"/> |
| [309] Automation Item 9: Pulse Timer | <input type="text"/> | [325] Automation Item 25: Pulse Timer | <input type="text"/> |
| [310] Automation Item 10: Pulse Timer | <input type="text"/> | [326] Automation Item 26: Pulse Timer | <input type="text"/> |
| [311] Automation Item 11: Pulse Timer | <input type="text"/> | [327] Automation Item 27: Pulse Timer | <input type="text"/> |
| [312] Automation Item 12: Pulse Timer | <input type="text"/> | [328] Automation Item 28: Pulse Timer | <input type="text"/> |
| [313] Automation Item 13: Pulse Timer | <input type="text"/> | [329] Automation Item 29: Pulse Timer | <input type="text"/> |
| [314] Automation Item 14: Pulse Timer | <input type="text"/> | [330] Automation Item 30: Pulse Timer | <input type="text"/> |
| [315] Automation Item 15: Pulse Timer | <input type="text"/> | [331] Automation Item 31: Pulse Timer | <input type="text"/> |
| [316] Automation Item 16: Pulse Timer | <input type="text"/> | [332] Automation Item 32: Pulse Timer | <input type="text"/> |

Automation Item Output Follower

! *On PC5010 v1.0 control panels, valid entries are (03-14) only. On PC1575/PC1580 v1.0 and higher control panels, valid entries are (01-02) only.*

! *Up to 4 automation items can be programmed to follow any one PGM output on the system.*

To program an automation item to follow a PGM output:

1. Enter the section number corresponding to the automation item (e.g. for automation item 1, enter [401]).
2. Enter a 2-digit PGM number (01-14; 00= no PGM) to specify the PGM Output to be followed. Default=00

[401] Automation Item 1	<input type="text"/>	[417] Automation Item 17	<input type="text"/>
[402] Automation Item 2	<input type="text"/>	[418] Automation Item 18	<input type="text"/>
[403] Automation Item 3	<input type="text"/>	[419] Automation Item 19	<input type="text"/>
[404] Automation Item 4	<input type="text"/>	[420] Automation Item 20	<input type="text"/>
[405] Automation Item 5	<input type="text"/>	[421] Automation Item 21	<input type="text"/>
[406] Automation Item 6	<input type="text"/>	[422] Automation Item 22	<input type="text"/>
[407] Automation Item 7	<input type="text"/>	[423] Automation Item 23	<input type="text"/>
[408] Automation Item 8	<input type="text"/>	[424] Automation Item 24	<input type="text"/>
[409] Automation Item 9	<input type="text"/>	[425] Automation Item 25	<input type="text"/>
[410] Automation Item 10	<input type="text"/>	[426] Automation Item 26	<input type="text"/>
[411] Automation Item 11	<input type="text"/>	[427] Automation Item 27	<input type="text"/>
[412] Automation Item 12	<input type="text"/>	[428] Automation Item 28	<input type="text"/>
[413] Automation Item 13	<input type="text"/>	[429] Automation Item 29	<input type="text"/>
[414] Automation Item 14	<input type="text"/>	[430] Automation Item 30	<input type="text"/>
[415] Automation Item 15	<input type="text"/>	[431] Automation Item 31	<input type="text"/>
[416] Automation Item 16	<input type="text"/>	[432] Automation Item 32	<input type="text"/>

Label Programming *(Please see Appendix A for a list of available words.)*

! *Do not program a number command as the 6th word of a label. See section 3.4.*

Automation Item Labels		Default
[451]	Item 1 Label <input type="text"/>	Item 1
[452]	Item 2 Label <input type="text"/>	Item 2
[453]	Item 3 Label <input type="text"/>	Item 3
[454]	Item 4 Label <input type="text"/>	Item 4
[455]	Item 5 Label <input type="text"/>	Item 5
[456]	Item 6 Label <input type="text"/>	Item 6
[457]	Item 7 Label <input type="text"/>	Item 7
[458]	Item 8 Label <input type="text"/>	Item 8
[459]	Item 9 Label <input type="text"/>	Item 9
[460]	Item 10 Label <input type="text"/>	Item 10
[461]	Item 11 Label <input type="text"/>	Item 11
[462]	Item 12 Label <input type="text"/>	Item 12
[463]	Item 13 Label <input type="text"/>	Item 13
[464]	Item 14 Label <input type="text"/>	Item 14
[465]	Item 15 Label <input type="text"/>	Item 15
[466]	Item 16 Label <input type="text"/>	Item 16
[467]	Item 17 Label <input type="text"/>	Item 17
[468]	Item 18 Label <input type="text"/>	Item 18
[469]	Item 19 Label <input type="text"/>	Item 19
[470]	Item 20 Label <input type="text"/>	Item 20
[471]	Item 11 Label <input type="text"/>	Item 21
[472]	Item 22 Label <input type="text"/>	Item 22
[473]	Item 23 Label <input type="text"/>	Item 23
[474]	Item 24 Label <input type="text"/>	Item 24
[475]	Item 25 Label <input type="text"/>	Item 25
[476]	Item 26 Label <input type="text"/>	Item 26
[477]	Item 27 Label <input type="text"/>	Item 27
[478]	Item 28 Label <input type="text"/>	Item 28
[479]	Item 29 Label <input type="text"/>	Item 29
[480]	Item 30 Label <input type="text"/>	Item 30
[481]	Item 31 Label <input type="text"/>	Item 31
[482]	Item 32 Label <input type="text"/>	Item 32

Automation Mode Labels **Default**

- [521] Mode 1 Label _____ Mode 1
- [522] Mode 2 Label _____ Mode 2
- [523] Mode 3 Label _____ Mode 3
- [524] Mode 4 Label _____ Mode 4
- [525] Mode 5 Label _____ Mode 5
- [526] Mode 6 Label _____ Mode 6
- [527] Mode 7 Label _____ Mode 7
- [528] Mode 8 Label _____ Mode 8

Miscellaneous System Labels **Default**

- [545] Output Control 1 _____ Output Control 1
- [546] Output Control 2 _____ Output Control 2
- [547] Output Control 3 _____ Output Control 3
- [548] Output Control 4 _____ Output Control 4

System Partition Labels **Default**

- [561] Partition 1 Label _____ System
- [562] Partition 2 Label _____ Partition 2

System Zone Labels **Default**

- [601] Zone 1 Label _____ Zone 1
- [602] Zone 2 Label _____ Zone 2
- [603] Zone 3 Label _____ Zone 3
- [604] Zone 4 Label _____ Zone 4
- [605] Zone 5 Label _____ Zone 5
- [606] Zone 6 Label _____ Zone 6
- [607] Zone 7 Label _____ Zone 7
- [608] Zone 8 Label _____ Zone 8
- [609] Zone 9 Label _____ Zone 9
- [610] Zone 10 Label _____ Zone 10
- [611] Zone 11 Label _____ Zone 11
- [612] Zone 12 Label _____ Zone 12
- [613] Zone 13 Label _____ Zone 13

Thermostat Control Programming

Sections 'e.g. [800]' to 'e.g. [804]' show the programming to be completed for each thermostat, using thermostat 1, Day occupancy setting as an example. Complete the programming for additional occupancy settings and thermostats in a similar manner. Record your programming in the sections that follow the example.

e.g. [800] Thermostat 1 Options

Default Option ON			OFF		
OFF	01	Thermostat 1 enrolled			Thermostat 1 not enrolled
OFF	02	Thermostat 1 EMS-OTS sensor connected			Thermostat 1 EMS-OTS not connected
ON	03	Thermostat 1 Heat enabled			Thermostat 1 Heat disabled
ON	04	Thermostat 1 Cool enabled			Thermostat 1 Cool disabled
OFF	05	Day Setting follows Sched./Output always			Day Set. follows Sched./Output only if mode ON
OFF	06	Night Setting follows Sched./Output always			Night Set. follows Sched./Output only if mode ON
OFF	07	Aux. Setting follows Sched./Output always			Aux. Set. follows Sched./Output only if mode ON
OFF	08	Away Setting follows Sched./Output always			Away Set. follows Sched./Output only if mode ON

e.g. [801] Thermostat 1 Day Occupancy Setting: Schedule Assignment

Default	Option	ON	OFF
OFF	<input type="checkbox"/> 01	Follows Schedule 1	Does not follow Schedule 1
OFF	<input type="checkbox"/> 02	Follows Schedule 2	Does not follow Schedule 2
OFF	<input type="checkbox"/> 03	Follows Schedule 3	Does not follow Schedule 3
OFF	<input type="checkbox"/> 04	Follows Schedule 4	Does not follow Schedule 4
OFF	<input type="checkbox"/> 05	Follows Schedule 5	Does not follow Schedule 5
OFF	<input type="checkbox"/> 06	Follows Schedule 6	Does not follow Schedule 6
OFF	<input type="checkbox"/> 07	Follows Schedule 7	Does not follow Schedule 7
OFF	<input type="checkbox"/> 08	Follows Schedule 8	Does not follow Schedule 8
OFF	<input type="checkbox"/> 09	Follows Schedule 9	Does not follow Schedule 9
OFF	<input type="checkbox"/> 10	Follows Schedule 10	Does not follow Schedule 10
OFF	<input type="checkbox"/> 11	Follows Schedule 11	Does not follow Schedule 11
OFF	<input type="checkbox"/> 12	Follows Schedule 12	Does not follow Schedule 12
OFF	<input type="checkbox"/> 13	Follows Schedule 13	Does not follow Schedule 13
OFF	<input type="checkbox"/> 14	Follows Schedule 14	Does not follow Schedule 14
OFF	<input type="checkbox"/> 15	Follows Schedule 15	Does not follow Schedule 15
OFF	<input type="checkbox"/> 16	Follows Schedule 16	Does not follow Schedule 16

e.g. [802] Thermostat 1 Day Occupancy Setting: Mode Assignment

Default	Option	ON	OFF
OFF	<input type="checkbox"/> 01	Assigned to Mode 1	Not assigned to Mode 1
OFF	<input type="checkbox"/> 02	Assigned to Mode 2	Not assigned to Mode 2
OFF	<input type="checkbox"/> 03	Assigned to Mode 3	Not assigned to Mode 3
OFF	<input type="checkbox"/> 04	Assigned to Mode 4	Not assigned to Mode 4
OFF	<input type="checkbox"/> 05	Assigned to Mode 5	Not assigned to Mode 5
OFF	<input type="checkbox"/> 06	Assigned to Mode 6	Not assigned to Mode 6
OFF	<input type="checkbox"/> 07	Assigned to Mode 7	Not assigned to Mode 7
OFF	<input type="checkbox"/> 08	Assigned to Mode 8	Not assigned to Mode 8

e.g. [803] Thermostat 1 Day Occupancy Setting: Schedule/PGM Output Condition

Default: 00 (Valid Entries are 00-04)

[00] No Schedule or PGM Output control	[03] Schedule OR PGM Output
[01] PGM Output control only	[04] Schedule AND PGM Output
[02] Schedule control only	

e.g. [804] Thermostat 1 Day Occupancy Setting: PGM Output Follower

Default: 00 (Valid entries are PGM Outputs 01-14; 00= not used)

P R O G R A M M I N G W O R K S H E E T S

Thermostat 1

- [800]** Thermostat 1 Options 01,02,03,04,05,06,07,08
- Day Oc. Set.** **[801]** Schedule Assignment 01,02,03,04,05,06,07,08,09,10,11,12,13,14,15,16
- [802]** Mode Assignment 01,02,03,04,05,06,07,08
- [803]** Sched/Outpt Condition ____
- [804]** PGM Output Follower ____
- Night Oc.Set.** **[806]** Schedule Assignment 01,02,03,04,05,06,07,08,09,10,11,12,13,14,15,16
- [807]** Mode Assignment 01,02,03,04,05,06,07,08
- [808]** Sched/Outpt Condition ____
- [809]** PGM Output Follower ____
- Aux. Oc.Set.** **[811]** Schedule Assignment 01,02,03,04,05,06,07,08,09,10,11,12,13,14,15,16
- [812]** Mode Assignment 01,02,03,04,05,06,07,08
- [813]** Sched/Outpt Condition ____
- [814]** PGM Output Follower ____
- Away Oc.Set.** **[816]** Schedule Assignment 01,02,03,04,05,06,07,08,09,10,11,12,13,14,15,16
- [817]** Mode Assignment 01,02,03,04,05,06,07,08
- [818]** Sched/Outpt Condition ____
- [819]** PGM Output Follower ____

Thermostat 2

- [821]** Thermostat 2 Options 01,02,03,04,05,06,07,08
- Day Oc.Set.** **[822]** Schedule Assignment 01,02,03,04,05,06,07,08,09,10,11,12,13,14,15,16
- [823]** Mode Assignment 01,02,03,04,05,06,07,08
- [824]** Sched/Outpt Condition ____
- [825]** PGM Output Follower ____
- Night Oc.Set.** **[827]** Schedule Assignment 01,02,03,04,05,06,07,08,09,10,11,12,13,14,15,16
- [828]** Mode Assignment 01,02,03,04,05,06,07,08
- [829]** Sched/Outpt Condition ____
- [830]** PGM Output Follower ____
- Aux. Oc.Set.** **[832]** Schedule Assignment 01,02,03,04,05,06,07,08,09,10,11,12,13,14,15,16
- [833]** Mode Assignment 01,02,03,04,05,06,07,08
- [834]** Sched/Outpt Condition ____
- [835]** PGM Output Follower ____
- Away Oc.Set.** **[837]** Schedule Assignment 01,02,03,04,05,06,07,08,09,10,11,12,13,14,15,16
- [838]** Mode Assignment 01,02,03,04,05,06,07,08
- [839]** Sched/Outpt Condition ____
- [840]** PGM Output Follower ____

P R O G R A M M I N G W O R K S H E E T S

Thermostat 3

- [842]** Thermostat 3 Options 01,02,03,04,05,06,07,08
- Day Oc.Set. [843]** Schedule Assignment 01,02,03,04,05,06,07,08,09,10,11,12,13,14,15,16
- [844]** Mode Assignment 01,02,03,04,05,06,07,08
- [845]** Sched/Outpt Condition ____
- [846]** PGM Output Follower ____
- Night Oc.Set. [848]** Schedule Assignment 01,02,03,04,05,06,07,08,09,10,11,12,13,14,15,16
- [849]** Mode Assignment 01,02,03,04,05,06,07,08
- [850]** Sched/Outpt Condition ____
- [851]** PGM Output Follower ____
- Aux. Oc.Set. [853]** Schedule Assignment 01,02,03,04,05,06,07,08,09,10,11,12,13,14,15,16
- [854]** Mode Assignment 01,02,03,04,05,06,07,08
- [855]** Sched/Outpt Condition ____
- [856]** PGM Output Follower ____
- Away Oc.Set. [858]** Schedule Assignment 01,02,03,04,05,06,07,08,09,10,11,12,13,14,15,16
- [859]** Mode Assignment 01,02,03,04,05,06,07,08
- [860]** Sched/Outpt Condition ____
- [861]** PGM Output Follower ____

Thermostat 4

- [863]** Thermostat 4 Options 01,02,03,04,05,06,07,08
- Day Oc.Set. [864]** Schedule Assignment 01,02,03,04,05,06,07,08,09,10,11,12,13,14,15,16
- [865]** Mode Assignment 01,02,03,04,05,06,07,08
- [866]** Sched/Outpt Condition ____
- [867]** PGM Output Follower ____
- Night Oc.Set. [869]** Schedule Assignment 01,02,03,04,05,06,07,08,09,10,11,12,13,14,15,16
- [870]** Mode Assignment 01,02,03,04,05,06,07,08
- [871]** Sched/Outpt Condition ____
- [872]** PGM Output Follower ____
- Aux. Oc.Set. [874]** Schedule Assignment 01,02,03,04,05,06,07,08,09,10,11,12,13,14,15,16
- [875]** Mode Assignment 01,02,03,04,05,06,07,08
- [876]** Sched/Outpt Condition ____
- [877]** PGM Output Follower ____
- Away Oc.Set. [879]** Schedule Assignment 01,02,03,04,05,06,07,08,09,10,11,12,13,14,15,16
- [880]** Mode Assignment 01,02,03,04,05,06,07,08
- [881]** Sched/Outpt Condition ____
- [882]** PGM Output Follower ____

Thermostat Labels

		Default
[884]	Therm.1 Label <input type="text"/>	Thermostat 1
[885]	Therm.2 Label <input type="text"/>	Thermostat 2
[886]	Therm.3 Label <input type="text"/>	Thermostat 3
[887]	Therm.4 Label <input type="text"/>	Thermostat 4

Special Programming

- [999] [Service Code] [999] Software Default Escort5580TC Programming**
Re-enter Escort5580TC Service Code and Section Number [999].

Appendix A

E S C O R T 5 5 8 0 T C L A B E L L I B R A R Y

[000] Combined #	[048] Curtain	[099] Guest	[149] Nursery	[199] Sounder
Command	[049] Dark	[100] Gun	[150] Office	[200] South
[001] Ordered #	[050] Day	[101] Gym	[151] Outer	[201] Sprinkler
Command	[051] Deck	[102] Hallway	[152] Outlet	[202] Staff
[002] Individual #	[052] Degrees	[103] Heat	[153] Output *	[203] Stairs
Command	[053] Den	[104] Heater	[154] Over	[204] Stereo
[003] Access	[054] Detector	[105] High	[155] Overflow	[205] Stock
[004] Air-conditioning	[055] Dining	[106] Holiday	[156] Overhead	[206] Storage
[005] Alcove	[056] Dishwasher	[107] Home	[157] Panel	[207] Strike
[006] And	[057] Door	[108] Hose	[158] Panic-button	[208] Sump
[007] Apartment	[058] Down	[109] Hot tub	[159] Parking	[209] Supervision
[008] Appliance	[059] Driveway	[110] House	[160] Partition *	[210] Swimming-pool
[009] Area	[060] East	[111] Humidity	[161] Patio	[211] System *
[010] Atrium	[061] Electric	[112] Interior	[162] Perimeter	[212] Tamper
[011] Attic	[062] Elevator	[113] Intrusion	[163] Photocopier	[213] Television
[012] Automatic	[063] Employee	[114] Item *	[164] Picture	[214] Temperature
[013] Away	[064] Energy-save	[115] Jewellery	[165] Place	[215] Time
[014] Back	[065] Entertainment	[116] Kitchen	[166] Play	[216] Tool
[015] Backyard	[066] Entry	[117] Ladies'	[167] Porch	[217] Top
[016] Balcony	[067] Equipment	[118] Lamp	[168] Portable	[218] Track
[017] Bar	[068] Exercise	[119] Laundry	[169] Power	[219] Trap
[018] Barn	[069] Exhaust	[120] Lawn	[170] Pressure	[220] Under
[019] Basement	[070] Exit	[121] Left	[171] Proximity	[221] Unit
[020] Bathroom	[071] Exterior	[122] Level	[172] Pull-station	[222] Up
[021] Bay	[072] Extinguisher	[123] Library	[173] Pump	[223] Upper
[022] Beam	[073] Factory	[124] Light	[174] Ramp	[224] Utility
[023] Bedroom	[074] Family	[125] Lights	[175] Rear	[225] Vault
[024] Blinds	[075] Fan	[126] Liquor	[176] Receiving	[226] Vent
[025] Boat	[076] Fence	[127] Living	[177] Recreation	[227] Vibration
[026] Boiler	[077] File	[128] Loading	[178] Refrigerator	[228] Walkway
[027] Bottom	[078] Fire *	[129] Lobby	[179] Reset	[229] Warehouse
[028] Boys	[079] Floor	[130] Lot	[180] Restricted	[230] Washroom
[029] Building	[080] Florida	[131] Low	[181] Right	[231] Water
[030] Cabinet	[081] Flow	[132] Lower	[182] Roof	[232] Weekend
[031] Cafeteria	[082] Foil	[133] Machine	[183] Room	[233] Well
[032] Camera	[083] Fountain	[134] Maids	[184] Safe	[234] West
[033] Cash	[084] Foyer	[135] Mail	[185] Sauna	[235] Window
[034] Ceiling	[085] Freezer	[136] Main	[186] Schedule	[236] Wine-cellar
[035] Centre	[086] French	[137] Maintenance	[187] Sensor	[237] Work
[036] Changeroom	[087] Front	[138] Master	[188] Service	[238] Yard
[037] China	[088] Furnace	[139] Mat	[189] Shed	[239] Zone *
[038] Circuit	[089] Game	[140] Medical	[190] Shipping	[240] Thermostat *
[039] Classroom	[090] Garage	[141] Meeting	[191] Shop	[241] <i>Not Used</i>
[040] Coffee-maker	[091] Garbage	[142] Men's	[192] Shutter	[242] <i>Not Used</i>
[041] Cold	[092] Gas	[143] Middle	[193] Side	[243] <i>Not Used</i>
[042] Collection	[093] Gate	[144] Mode *	[194] Silent	[244] <i>Not Used</i>
[043] Compressor	[094] Girls	[145] Motion	[195] Skylight	[245] (2 Second
[044] Computer	[095] Glassbreak	[146] Night	[196] Sliding	Pause)
[045] Contact	[096] Greenhouse	[147] North	[197] Smoke	
[046] Control *	[097] Ground	[148] Number	[198] Solarium	
[047] Crawl-space	[098] Guard			

Appendix B

A U T O M A T I O N I T E M H O U S E C O D E S & U N I T N U M B E R S

<i>Enter</i>	<i>Code</i>	<i>Enter</i>	<i>Code</i>	<i>Enter</i>	<i>Code</i>	<i>Enter</i>	<i>Code</i>	<i>Enter</i>	<i>Code</i>
[000]	A 1	[052]	D 5	[103]	G 8	[154]	J 11	[205]	M 14
[001]	A 2	[053]	D 6	[104]	G 9	[155]	J 12	[206]	M 15
[002]	A 3	[054]	D 7	[105]	G 10	[156]	J 13	[207]	M 16
[003]	A 4	[055]	D 8	[106]	G 11	[157]	J 14	[208]	N 1
[004]	A 5	[056]	D 9	[107]	G 12	[158]	J 15	[209]	N 2
[005]	A 6	[057]	D 10	[108]	G 13	[159]	J 16	[210]	N 3
[006]	A 7	[058]	D 11	[109]	G 14	[160]	K 1	[211]	N 4
[007]	A 8	[059]	D 12	[110]	G 15	[161]	K 2	[212]	N 5
[008]	A 9	[060]	D 13	[111]	G 16	[162]	K 3	[213]	N 6
[009]	A 10	[061]	D 14	[112]	H 1	[163]	K 4	[214]	N 7
[010]	A 11	[062]	D 15	[113]	H 2	[164]	K 5	[215]	N 8
[011]	A 12	[063]	D 16	[114]	H 3	[165]	K 6	[216]	N 9
[012]	A 13	[064]	E 1	[115]	H 4	[166]	K 7	[217]	N 10
[013]	A 14	[065]	E 2	[116]	H 5	[167]	K 8	[218]	N 11
[014]	A 15	[066]	E 3	[117]	H 6	[168]	K 9	[219]	N 12
[015]	A 16	[067]	E 4	[118]	H 7	[169]	K 10	[220]	N 13
[016]	B 1	[068]	E 5	[119]	H 8	[170]	K 11	[221]	N 14
[017]	B 2	[069]	E 6	[120]	H 9	[171]	K 12	[222]	N 15
[018]	B 3	[070]	E 7	[121]	H 10	[172]	K 13	[223]	N 16
[019]	B 4	[071]	E 8	[122]	H 11	[173]	K 14	[224]	O 1
[020]	B 5	[072]	E 9	[123]	H 12	[174]	K 15	[225]	O 2
[021]	B 6	[073]	E 10	[124]	H 13	[175]	K 16	[226]	O 3
[022]	B 7	[074]	E 11	[125]	H 14	[176]	L 1	[227]	O 4
[023]	B 8	[075]	E 12	[126]	H 15	[177]	L 2	[228]	O 5
[024]	B 9	[076]	E 13	[127]	H 16	[178]	L 3	[229]	O 6
[025]	B 10	[077]	E 14	[128]	I 1	[179]	L 4	[230]	O 7
[026]	B 11	[078]	E 15	[129]	I 2	[180]	L 5	[231]	O 8
[027]	B 12	[079]	E 16	[130]	I 3	[181]	L 6	[232]	O 9
[028]	B 13	[080]	F 1	[131]	I 4	[182]	L 7	[233]	O 10
[029]	B 14	[081]	F 2	[132]	I 5	[183]	L 8	[234]	O 11
[030]	B 15	[082]	F 3	[133]	I 6	[184]	L 9	[235]	O 12
[031]	B 16	[083]	F 4	[134]	I 7	[185]	L 10	[236]	O 13
[032]	C 1	[084]	F 5	[135]	I 8	[186]	L 11	[237]	O 14
[033]	C 2	[085]	F 6	[136]	I 9	[187]	L 12	[238]	O 15
[034]	C 3	[086]	F 7	[137]	I 10	[188]	L 13	[239]	O 16
[035]	C 4	[087]	F 8	[138]	I 11	[189]	L 14	[240]	P 1
[036]	C 5	[088]	F 9	[139]	I 12	[190]	L 15	[241]	P 2
[037]	C 6	[089]	F 10	[140]	I 13	[191]	L 16	[242]	P 3
[038]	C 7	[090]	F 11	[141]	I 14	[192]	M 1	[243]	P 4
[039]	C 8	[091]	F 12	[142]	I 15	[193]	M 2	[244]	P 5
[040]	C 9	[092]	F 13	[143]	I 16	[194]	M 3	[245]	P 6
[041]	C 10	[093]	F 14	[144]	J 1	[195]	M 4	[246]	P 7
[042]	C 11	[094]	F 15	[145]	J 2	[196]	M 5	[247]	P 8
[043]	C 12	[095]	F 16	[146]	J 3	[197]	M 6	[248]	P 9
[044]	C 13	[096]	G 1	[147]	J 4	[198]	M 7	[249]	P 10
[045]	C 14	[097]	G 2	[148]	J 5	[199]	M 8	[250]	P 11
[046]	C 15	[098]	G 3	[149]	J 6	[200]	M 9	[251]	P 12
[047]	C 16	[099]	G 4	[150]	J 7	[201]	M 10	[252]	P 13
[048]	D 1	[100]	G 5	[151]	J 8	[202]	M 11	[253]	P 14
[049]	D 2	[101]	G 6	[152]	J 9	[203]	M 12	[254]	P 15
[050]	D 3	[102]	G 7	[153]	J 10	[204]	M 13	[255]	P 16
[051]	D 4								

Appendix C

[★] [5] M E N U C O M M A N D S

The following are commands available from the [★] [5] Home Automation menu. For more information on this menu, please see the Escort5580TC Instruction Manual.

Entering the Home Automation Menu

Press [★] [5] [1] to access the Home Automation menu. An access code may be required depending on programming in section [002]. If no access code is required, the Escort5580TC will immediately begin to announce the Home Automation menu. If an access code is required, it will prompt:

“Enter your Access Code.”

Enter your access code.

Home Automation Menu

The Escort5580TC announces:

“For Automation Control, press [1].”

“For Temperature Control, press [2].”

“For User Programming, press [3].”

“To exit, press [#].”

Automation Control Menu

From the Home Automation Menu, press [1], the Escort5580TC announces:

“For Individual Item Control, press [1].”

“For Mode Control, press [2].”

“For Global Item Control, press [3].”

“To exit, press [#].”

Please see the Escort5580TC Instruction Manual for a further description of this menu.

Temperature Control Menu

From the Home Automation Menu, press [2], the Escort5580TC announces:

“For Individual Thermostat Control, press [1].”

“For Mode Control, press [2].”

“To exit, press [#].”

Please see the Escort5580TC Instruction Manual for a further description of this menu.

User Programming Menus

Please see Appendix E for a description of this menu.

Appendix D

[*] [6] O P T I O N S

The following options are available in the [*][6] [Master User Code] User Functions menu.

Volume Control

When Volume Control is accessed the Escort5580TC will announce the following:

***“Volume is {High/Medium/Low}.
To change Volume, press [1].
To exit, press [#].”***

Speech Rate

When the Speech Rate is accessed the Escort5580TC will announce the following:

***“Speech Rate is {Slow/Fast}.
To change Speech Rate, press [1].
To exit, press [#].”***

Appendix E

A C C E S S C O D E P R O G R A M M I N G

The Access Code Programming function allows you to program access codes that will function on the security system as well as on the Escort5580TC. The system can be set to accept 4 or 6 digit user codes. Depending on what model of security system you have, you may have the ability to program either 6 or 37 access codes. To program these user codes, follow these steps:

With the system disarmed, access the security system using the steps described in the Accessing Your Security System and Accessing Partitions section of this manual.

Press [*]. When the system announces:

“For Automation Control and User Programming, press [5].”

press [5]. The system will then announce:

“For Automation Control, press [1].

For Temperature Control, press [2].

For User Programming, press [3].

To exit, press [#].”

Press the [3] key. Enter your master access code. The system will then announce:

“User Code Programming. Enter the one-/two- digit user number.

For User Option Programming, press [9].

User X, Y and Z are programmed. To exit, press [#].”



Your system may or may not prompt you with “User Option Programming”. Please consult your security system instruction manual for more information on user options.

Enter the number of the access code that you wish to program at this time. The system will announce:

“Enter the new 4-/6- digit access code.

To exit, press [#].”

Enter the new code at this point. You will again be prompted by the message:

“User Code Programming. Enter the one-/two- digit user number.

For User Option Programming, press [9].

Users X, Y and Z are programmed. To exit, press [#].”

If you wish to program another access code, enter the user number. If not, press [#] to return to the main menu.

Appendix F

G L O S S A R Y

Access Code

A 4- or 6-digit code that allows users to access arming, disarming and other system functions. Different access codes may be assigned to different users.

Automation Item

Automation Items are devices (e.g. lights, appliances, etc.) connected to X-10 modules and controlled within the Home Automation feature of the Escort system. Automation items can be controlled manually, or with schedules and/or PGM outputs.

Command Output / Output Control

You can program any programmable output (PGM output) on the system to work as a Command Output (1-4). See your control panel Installation Manual for more information. Users can activate Command Outputs by entering [*][7][1-4] at any keypad, or through the Escort.

When you assign items, occupancy settings or modes to PGM outputs programmed as Command Outputs, users can enter [*][7][1-4] to turn the items, occupancy settings or modes on or off.

You can program a label for each Command Output (Output Control labels). See section 3.4, "Programming Label Entry Sections".

Mode

Modes give users control over groups of automation items or thermostat occupancy settings programmed for scheduled or event initiated operation. Users can turn a mode on or off to activate/deactivate the items/thermostat settings assigned to it. When a mode is turned on, each of these items/thermostat settings will operate according to their assigned schedule(s) / PGM outputs.

Occupancy Setting

Each thermostat has four different temperature ranges that can be programmed. These temperature ranges are called Occupancy Settings:

- Day Occupancy Setting
- Night Occupancy Setting
- Auxiliary Occupancy Setting
- Away Occupancy Setting.

These occupancy settings allow users to easily change the temperature range for the area controlled by the thermostat. Depending on which Thermostat Mode is turned on, the thermostat will use either heating or cooling devices to maintain the temperature within the range programmed for the occupancy setting.

Partition

A group of zones on the system which are armed/disarmed and controlled independently of other zones grouped into a separate partition. Each partition has its own keypad and can be assigned its own access codes.

Telephone Access Code

A security code that must be entered when using a telephone to access the Escort. Once access is gained to the Escort, a normal user's access code is still usually required to access system functions.

Thermostat Mode

Each thermostat has 4 different Thermostat Modes:

- Cool
- Heat
- Automatic
- Off

If the thermostat is connected to a cooling device (e.g. air conditioning), use the Cool mode to maintain the temperature below a certain level. If the thermostat is connected to a heating device (e.g. furnace), use the Heat mode to maintain the temperature above a certain level. If the thermostat is connected to both a cooling device and a heating device, use the Automatic mode to maintain the temperature within a certain range with both the heating and cooling devices. You can stop temperature control by selecting the Off mode.

Users can change thermostat modes using the Escort5580TC, the thermostat, or a system keypad.

Zone

An area (e.g. a room) or barrier (e.g. a door) within the premises that is monitored by a detector (e.g. smoke detector, door/window contact, motion detector, glassbreak detector, etc.).

FCC COMPLIANCE STATEMENT

CAUTION: Changes or modifications not expressly approved by Digital Security Controls Ltd. could void your authority to use this equipment.

This equipment has been tested and found to comply with the limits for a Class B digital device, pursuant to Part 15 of the FCC Rules. These limits are designed to provide reasonable protection against harmful interference in a residential installation. This equipment generates, uses and can radiate radio frequency energy and, if not installed and used in accordance with the instructions, may cause harmful interference to radio communications. However, there is no guarantee that interference will not occur in a particular installation. If this equipment does cause harmful interference to radio or television reception, which can be determined by turning the equipment off and on, the user is encouraged to try to correct the interference by one or more of the following measures:

- Re-orient the receiving antenna.
 - Increase the separation between the equipment and receiver.
 - Connect the equipment into an outlet on a circuit different from that to which the receiver is connected.
 - Consult the dealer or an experienced radio/television technician for help.
- The user may find the following booklet prepared by the FCC useful: "How to Identify and Resolve Radio/Television Interference Problems". This booklet is available from the U.S. Government Printing Office, Washington D.C. 20402, Stock # 004-000-00345-4.

IMPORTANT INFORMATION

This equipment complies with Part 68 of the FCC Rules. On the side of this equipment is a label that contains, among other information, the FCC registration number of this equipment.

NOTIFICATION TO TELEPHONE COMPANY Upon request, the customer shall notify the telephone company of the particular line to which the connection will be made, and provide the FCC registration number and the ringer equivalence of the protective circuit.

FCC Registration Number: F53CAN-32604-AL-E

Ringer Equivalence Number: 0.2B

USOC Jack: RJ-31X

TELEPHONE CONNECTION REQUIREMENTS Except for the telephone company provided ringers, all connections to the telephone network shall be made through standard plugs and telephone company provided jacks, or equivalent, in such a manner as to allow for easy, immediate disconnection of the terminal equipment. Standard jacks shall be so arranged that, if the plug connected thereto is withdrawn, no interference to the operation of the equipment at the customer's premises which remains connected to the telephone network shall occur by reason of such withdrawal.

INCIDENCE OF HARM Should terminal equipment or protective circuitry cause harm to the telephone network, the telephone company shall, where practicable, notify the customer that temporary disconnection of service may be required; however, where prior notice is not practicable, the telephone company may temporarily discontinue service if such action is deemed reasonable in the circumstances. In the case of such temporary discontinuance, the telephone company shall promptly notify the customer and will be given the opportunity to correct the situation.

ADDITIONAL TELEPHONE COMPANY INFORMATION The security control panel must be properly connected to the telephone line with a USOC RJ-31X telephone jack.

The FCC prohibits customer-provided terminal equipment be connected to party lines or to be used in conjunction with coin telephone service. Inter-connect rules may vary from state to state.

CHANGES IN TELEPHONE COMPANY EQUIPMENT OR FACILITIES The telephone company may make changes in its communications facilities, equipment, operations or procedures, where such actions are reasonably required and proper in its business. Should any such changes render the customer's terminal equipment incompatible with the telephone company facilities the customer shall be given adequate notice to the effect modifications to maintain uninterrupted service.

RINGER EQUIVALENCE NUMBER (REN) The REN is useful to determine the quantity of devices that you may connect to your telephone line and still have all of those devices ring when your telephone number is called. In most, but not all areas, the sum of the RENs of all devices connected to one line should not exceed five (5.0). To be certain of the number of devices that you may connect to your line, you may want to contact your local telephone company.

EQUIPMENT MAINTENANCE FACILITY If you experience trouble with this telephone equipment, please contact the facility indicated below for information on obtaining service or repairs. The telephone company may ask that you disconnect this equipment from the network until the problem has been corrected or until you are sure that the equipment is not malfunctioning.

Digital Security Controls Ltd. 160 Washburn St., Lockport, NY 14094