

® ADEMCO**LYNXR Series****Quick Start Guide for LYNXR/LYNXR24 and LYNXR-EN****UL**

LYNXR and LYNXR-EN are not intended for UL985 Household Fire applications unless a 24-hour backup battery (P/N LYNXRCHKIT-HC) is installed.

Introduction

This Quick Start Guide can help you install the rechargeable LYNXR/LYNXR24 and LYNXR-EN quickly and easily by providing the basic steps for installation using the built-in defaults. For more detailed information and important notes, refer to the LYNXR Series Installation Instructions.

The following steps assume that one of the system's default tables will be used.

For programming data values and Powerline Carrier Devices other than those listed in the default tables, see the Installation Instructions.

Default Table Summary

Zone	Table 1	Table 2	Table 3	Table 4
1	-----	-----	-----	-----
2	front door	front door	front door	front door
3	back door	back door	back door	back door
4	window	Garage door	window	window
5	motion detector	motion detector	window	window
6	-----	smoke detector	window	window
7	-----	-----	window	window
8	-----	-----	motion detector	motion detector
9	-----	-----	smoke detector	smoke detector
26	loop 3 arm away	loop 3 arm away	loop 3 arm away	loop 3 arm away
27	loop 2 disarm	loop 2 disarm	loop 2 disarm	loop 2 disarm
28	loop 4 arm stay	loop 4 arm stay	loop 4 close device	loop 4 close device
29	loop 1 restore device 1	loop 1 restore device 1	loop 1 restore device 1	loop 1 restore device 1
30	loop 3 arm away	loop 3 arm away	loop 3 arm away	loop 3 arm away
31	loop 2 disarm	loop 2 disarm	loop 2 disarm	loop 2 disarm
32	loop 4 arm stay	loop 4 arm stay	loop 4 close device	loop 4 close device
33	loop 1 restore device 1	loop 1 restore device 1	loop 1 restore device 1	loop 1 restore device 1
92	duress	duress	duress	duress
99	silent alarm	audible alarm	silent alarm	silent alarm
Master User Code	1-2-3-4	1-2-3-4	1-2-3-4	1-2-3-4
Installer Code	4-1-1-2	6-3-2-1	4-1-1-2	4-1-1-2
Duress Code	-----	2-5-8-0	-----	-----

Entering Program Mode: installer code + 8 0 0

Interactive Mode**Used to Program**

*56 Enhanced Zone Programming	Zone characteristics, report codes, and serial numbers
*83 Sequential Mode	5800 Series transmitter serial numbers
*84 Assign Zone Voice Descriptors	Voice descriptors for each zone

Exiting Program Mode: *99 allows re-entry into the Program mode using Installer Code + 8 0 0.

*98 inhibits re-entry into the Programming mode using the Installer Code.

NOTES:

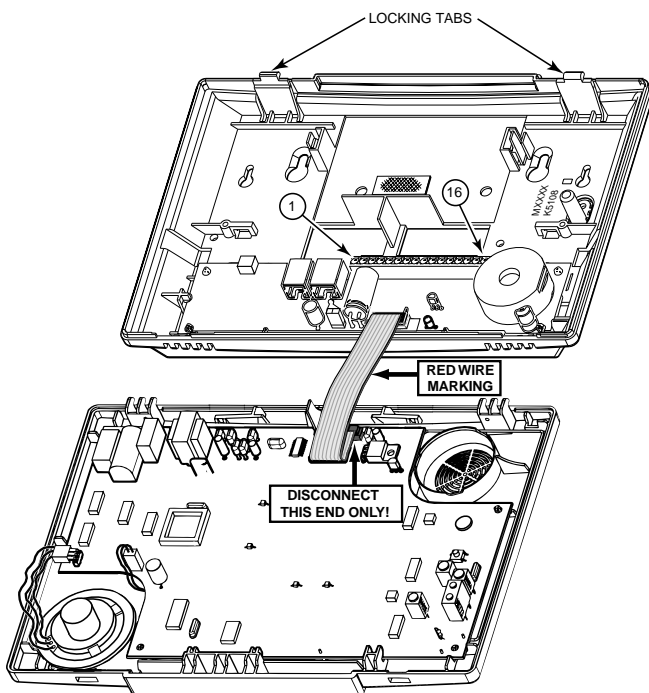
- Tables 2 and 4 support the automatic paging feature (open/close events reported to pager phone number), and a Powerline Carrier Device programmed as device 8, which closes and stays closed upon burglary alarms and restores after bell timeout. For other applications or actions (e.g., using a pulsing siren), see the *80 Device Programming Menu Mode section of the Installation Instructions.

- Primary report format for all tables is Ademco's Contact ID reporting. Tables 2 and 4 also use Contact ID for secondary reporting. Tables 1, and 3 use 4+1 format for secondary reporting.

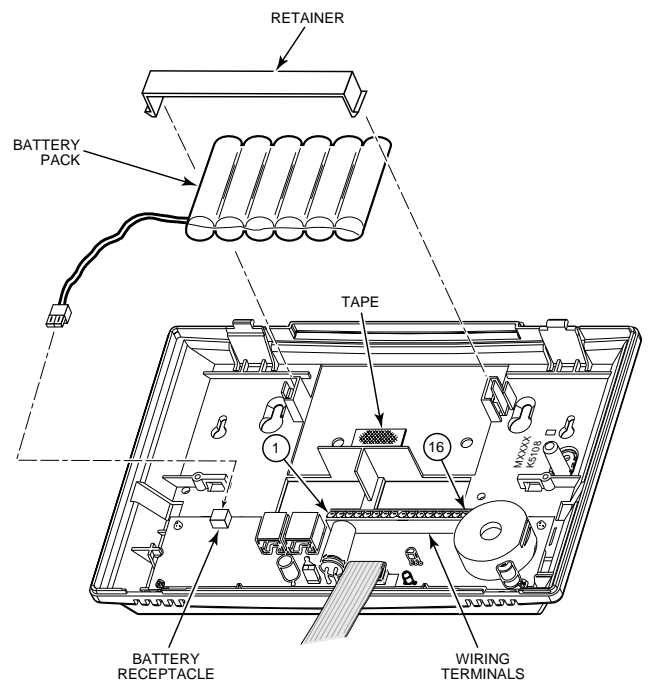
- Table 2 records all events in the event log. Tables 1, 3, and 4 record only alarms, alarm restores, troubles, and trouble restores in their event logs.

Installing LYNXR-Series Installation and Electrical Connections

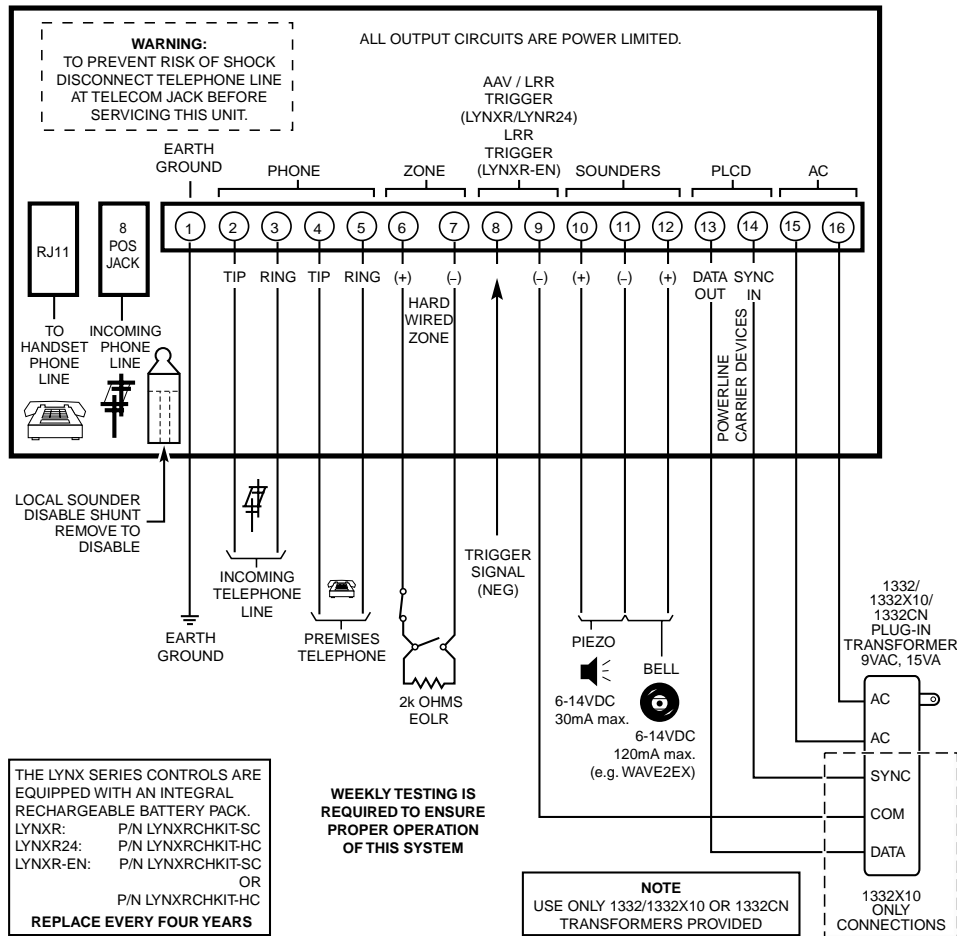
Step	Action
1.	<p>Install the control as follows:</p> <ol style="list-style-type: none"> Separate the front assembly from the back plate and disconnect the cable from the front assembly board. Note: Disconnect the cable only from the front assembly board, not from the terminal block PC board. Mount the back plate.
2.	<p>Make wiring connections as follows:</p> <ol style="list-style-type: none"> Connect the incoming phone line to either the 8-position jack or terminals 2 (TIP) and 3 (RING). Connect the handset phone lines to either the RJ11 jack or terminals 4 (TIP) and 5 (RING). Note: For full line seize operation, see the installation instructions. If used, connect a piezo sounder to terminals 10 (+) and 11 (-). If used, connect a bell to terminals 11 (-) and 12 (+). If using Powerline Carrier Devices, connect com/data/sync/ lines from the 1332X10 transformer to terminals 9, 13, and 14 respectively. Note: Install Powerline Carrier Devices according to their instructions. Connect wires from the 1332/1332X10 (1332CN) AC Transformer to terminals 15 and 16.
3.	<p>Make battery connections as follows:</p> <ol style="list-style-type: none"> Remove battery retainer. Remove backing from tape on back plate. Insert battery pack into back plate. Install battery retainer. Connect battery connector to receptacle on terminal block PC board. Carefully reconnect the ribbon cable to the front assembly PC board connector (properly aligning the red wire). After all wiring connections have been made, snap the front assembly to the back plate so it is held by the locking tabs. Plug the transformer into a 24-hour, 110VAC unswitched outlet. Note: Rechargeable batteries may take up to 48-hours to fully charge. "LOW BAT" message should clear within four hours, or by entering Test Mode.



01009-003-V0



01009-007-V0



01009-009-V0

LYNX-R-SERIES WIRING CONNECTIONS

System Programming



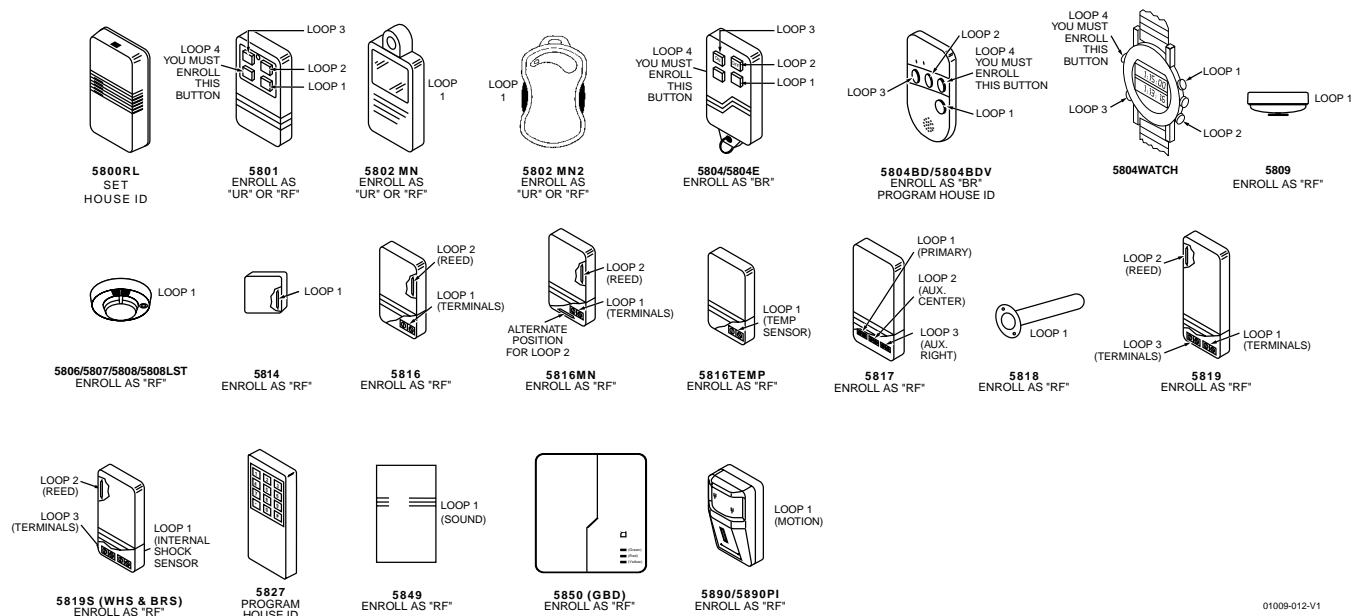
Certain features differ between the LYNXR/LYNXR24 and the LYNXR-EN models. Verify the specific model being installed prior to the system programming.

Step	Action
1.	Set a programming default as follows: <ol style="list-style-type: none"> a. Enter Programming mode: Installer Code + 8 0 0. b. Press *97, then press a number 1-4 to select a default table from the tables listed on page 1.
2.	Program the variable data fields as follows: <ol style="list-style-type: none"> a. RF House ID - Press *24, then enter the desired 2-digit RF House ID for wireless keypads. b. PABX Access Code (if used) - Press *40, then enter up to 6 digits. If fewer than 6 digits are used, press [*] to end the field and advance to the next field. c. Primary Phone Number - Press *41, then enter the primary phone number, up to 20 digits. If fewer than 20 digits are used, press [*] to end the field and advance to the next field. d. Secondary Phone Number (if used) - Press *42, then enter the secondary phone number, up to 24 digits. If fewer than 24 digits are used, press [*] to end the field and advance to the next field. e. Secondary Account Number (if used) - Press *44, then enter the secondary account number. If only 3 digits are used, press [*] to end the field and advance to the next field. f. Pager Characters - Press *88 if using Default Table 2 or 4, then enter up to 16 digits which may be required by your pager service (e.g. account number, PIN, etc.). If fewer than 16 digits are used, press [*] to end the field and advance to the next field. g. Download Phone Number - Press *94, then enter the downloading computer phone number, up to 20 digits. If fewer than 20 digits are used, press [*] to end the field.

Step	Action
3.	<p data-bbox="228 155 1036 182">Enhanced Sequential Mode - Press *83, then follow the prompts as follows:</p> <p data-bbox="228 197 289 224">[R 01]</p> <p data-bbox="342 197 1377 281">a. Zone Number - Enter 2-digit zone number of the first transmitter to have its serial number entered. The system will announce the Voice Descriptor for the selected zone number, if it is programmed.</p> <p data-bbox="391 281 1354 336">Press [*] to continue. Starting with this zone, the system will search for the first transmitter, which has all of the following attributes pre-programmed in Zone Programming.</p> <ol data-bbox="391 336 1159 443" style="list-style-type: none"> 1) The correct input type selected in *56 (RF, UR, or BR programmed) 2) The correct loop number selected in *56 3) No serial number programmed 4) Zone type <p data-bbox="391 443 1369 520">Notes: 1. If the first zone number entered does <i>not</i> have one or more of the above attributes, the system will search its database for the first zone that does, and will display it at the ENROLL SERIAL NUMBER prompt (1b).</p> <p data-bbox="461 520 1333 569">2. Pressing 00 exits mode, upon which the prompt "83" blinks, indicating the mode is inactive.</p> <p data-bbox="228 583 289 611">[R ZZ]</p> <p data-bbox="342 583 1409 642">b. Enroll Mode - If "L" is displayed, the serial number for this transmitter has already been entered, however, it may still be confirmed, viewed or deleted.</p> <ol data-bbox="391 642 1373 722" style="list-style-type: none"> 1) If the transmitter's serial number has not been previously entered, enter the enroll serial number mode now by pressing "1", or copy the last serial number that was entered by pressing "2". <p data-bbox="228 737 289 764">[R LC]</p> <ol data-bbox="391 737 1445 793" style="list-style-type: none"> 2) If the transmitter's serial number has been previously entered, it may be viewed by pressing "3" or deleted by pressing "9". <p data-bbox="391 793 1445 844">Note: If view is selected; each digit will be re-displayed, and the keypad will beep once for digits 1-6, and three times for the last digit.</p> <ol data-bbox="391 856 1445 911" style="list-style-type: none"> 3) Once the serial number has been entered the system will return to the (1A) prompt and "L" will be displayed. <p data-bbox="391 911 1341 936">Note: This point can be faulted and restored and the panel will listen for the transmission.</p> <ol data-bbox="391 936 1445 1071" style="list-style-type: none"> 4) The serial number/loop number combination that was entered can be confirmed by faulting and restoring the zone being entered. If the panel receives a transmission that matches the serial number and loop number entered, the keypad will beep three times, and "C" will be displayed. This indicates that the serial number transmission has been confirmed to match. No further transmissions will be received. <p data-bbox="391 1071 1445 1173">Note: When confirming a 4-button key, it assumed that all loops are used and only the serial number is confirmed. Pressing any key will allow a confirm. Two beeps indicate that the template has been accepted. A single long beep indicates illegal entries, or duplicate serial number/loop entry.</p> <ol data-bbox="391 1173 1445 1310" style="list-style-type: none"> 5) When the last zone has been entered, the display will remain on that zone. To exit this mode and return to data field program mode, press 00 at the ZONE NUMBER prompt 6) Once all zones have been programmed, test each zone using the system's Test mode. Do not use the Transmitter ID Sniffer mode for this, since it will only check for transmission of one zone on a particular transmitter, and not the zones assigned to each additional loop. <p data-bbox="228 1325 289 1352">[b ZZ]</p> <p data-bbox="342 1325 1445 1407">c. Serial Number - This prompt can be used to enroll the transmitter serial number via RF transmission or manually. If using RF Learning proceed to c. 1). If using the manual mode skip to c. 2).</p> <ol data-bbox="391 1419 1445 1610" style="list-style-type: none"> 1) RF Learning - Two (2) transmissions (two key depressions at least five second apart) will be required for BR type or four (4) transmissions (fault, restore and fault, restore) for UR or RF type. BR type devices can be enrolled only by transmission from BR devices. Likewise, UR and RF devices can only be enrolled by transmission from a UR or RF device. If the learned serial number has a different loop number than that entered in *56 the system will announce the Voice Descriptor, if it is programmed, followed by two beeps and will return to Prompt (1A) and "L" will be displayed. <p data-bbox="440 1623 1445 1728">If the loop number captured by RF transmission and that entered in *56 mode match, the system will announce the Voice Descriptor, if it is programmed, followed by three beeps and return to Prompt (1A) and "LC" will be displayed. No additional transmissions are needed for confirmation.</p> <p data-bbox="391 1728 1445 1780">Note: BR type devices can be enrolled only by transmission from BR devices. Likewise, UR and RF devices can only be enrolled by transmission from a UR or RF device.</p>

Step	Action
3. (Cont.)	<div style="border: 1px solid black; width: 20px; height: 15px; display: inline-block; margin-right: 5px;"></div> <p>2) Manual Entry - Enter the 7-digit serial number printed on the transmitter. If you enter an incorrect digit, press the [#] key to backup to prompt (1A) and start over. When all seven digits are entered press the [*] key.</p> <p>3) Once all 7 digits have been entered, press the [*] key. If less than 7 digits are entered, the keypad will emit a single long beep and return to the (1A) prompt without displaying the "L". If more than 7 digits have been entered, the first 6 digits will be saved along with the last digit that was entered (entering 123456789 yields the serial number 1234569).</p> <p>Note: If 52 seconds passes and no entry has been made, the system returns to prompt (1A).</p> <div style="border: 1px solid black; width: 20px; height: 15px; display: inline-block; margin-right: 5px;"></div> <p>d. Delete Serial Number - This prompt can be used to delete the serial number programmed for the zone.</p> <p>1) Enter "0" to discard delete request or "1" to confirm</p>
4.	<p>Set RF House ID in the wireless keypads as follows:</p> <p>a. 5827 wireless keypad - Set the keypad's DIP switches to the RF House ID programmed in field *24.</p> <p>b. 5804BD button key - Set the RF House ID per its instructions.</p> <p>c. Powerline Carrier Devices - Set their House ID to "A," (programmed as "0") or use field *25 to change the ID to avoid conflicts with existing installations.</p>
5.	<p>Set the Real-Time Clock as follows:</p> <p>a. Enter time/date setting mode by entering the User Code + FUNCTION + [63].</p> <p>b. The hour prompt is displayed. Enter the correct hour, then press [*] to accept and advance.</p> <p>c. For each subsequent prompt, enter the correct value, then press [*].</p> <p>d. The system will exit this mode automatically after entering the year, or if no keys are pressed for 1 minute.</p>
6.	<p>Test the system as follows:</p> <p>a. After installation and programming, enter Installer Code + TEST.</p> <p>b. To exit Test mode, enter Installer Code + OFF.</p>
7.	<p>Assign desired User Codes by following the procedures on the next page and in the User Guide. Show the user how to perform the various system functions.</p>
8.	<p>Perform site-initiated downloader session (to load central station ID) by Installer Code + [#] + [1].</p>

5800 Series Transmitter Loop Numbers: The following illustration shows the compatible transmitters and their associated input types and loop designations.



The 5800RL, 5802MN, 5802MN2, 5804, 5804BD, 5804BDV, 5804E, 5804WATCH, 5814, 5816TEMP, 5819, 5819S(WHS & BRS), and 5850(GBD) transmitters are not intended for any UL installations.

Keypad Functions (when default programming is used)

Security Functions

Checking system status: **STATUS** (high level messages); press **STATUS** again for secondary messages.

To arm in STAY mode: Press and hold down **STAY** (or enter your code + **STAY**) See note below.

To restart exit delay: **STAY** (applies only if system is armed in Stay mode and Quick Exit option has been enabled)

To arm in AWAY mode: Press and hold down **AWAY** (or enter your code + **AWAY**) See note below.

To arm with NO DELAY: Press and hold down **AWAY** or **STAY** + **NO DELAY** or enter your user code + the keys shown).

To disarm the system and silence alarms: User Code + **OFF** See note below.

To bypass a zone(s): User Code + **BYPASS** + 2-digit zone number(s)

To turn Chime mode on or off: **FUNCTION** + **CHIME**

Message Center

To record a message: **FUNCTION** + **RECORD**

To stop recording before end of 20 seconds: **OFF**

To play back a message: **FUNCTION** + **PLAY**

Volume Control

To adjust message playback/system announcement volume: **FUNCTION** + **VOLUME** + [3] (Up) or [6] (Down)

To mute system announcements: **FUNCTION** + **VOLUME** + **OFF**

To restore/unmute announcements & volume: **FUNCTION** + **VOLUME** + [3] or [6]

Note: If the system was muted during Field Programming it will be unmuted upon exiting.

Other Functions

To set the time and date: User Code + **FUNCTION** + [63]

To activate or deactivate devices 1-6: **FUNCTION** + **LIGHTS ON** or **LIGHTS OFF** + device number

To activate or deactivate devices 7 & 8: User Code + **#** + **LIGHTS ON** or **LIGHTS OFF** + dev. no.

To program scheduled events: User Code + **FUNCTION** + [64], then follow procedure in User Manual.

To add a User Code: Master Code + **CODE** + user number + User's Code (see note below)

To delete a User Code (except Master Code): Master Code + **CODE** + user number

To turn Test mode on: User Code + **TEST**

To turn Test mode off: User Code + **OFF**

To use the defined AUX function: Press and hold **AUX** key 2 secs (4 beeps) + User Code

(To define the AUX function, refer to the procedure in the Aux Function section of the User Manual. Note: The 1-button paging feature [field *87] is not enabled with the default programming)

Remote Phone Control Operation

To remotely disarm system: + [1]

To remotely arm in AWAY mode: + [2]

To remotely arm in STAY mode: + [3]

To remotely arm in AWAY or STAY with NO DELAY: + [2] or [3] + [0]

To remotely activate X-10 devices 1-6: [#] + [4] + device no.

To remotely activate X-10 devices 7 & 8: + [#] + [4] + device no.

To remotely deactivate X-10 devices 1-6: [#] + [7] + device no.

To remotely deactivate X-10 devices 7 & 8: + [#] + [7] + device no.

To remotely bypass a zone: + [6] + zone no.

To remotely activate forced bypass: + [6] + [#]

Note: Force bypass option must be enabled.

To remotely check system status: [*]

To end remote phone session: Hang up or + [9]

Speaker Phone Operation (LYNXR-EN Only)

(Note: The ARMED and READY LEDs blink alternately when the Speaker Phone feature is active)

To place a call or answer a call using the speaker phone: [#] + AUX

To Flash (switch between two calls using call waiting): AUX

To hang up and exit speaker phone mode: OFF

To enable/disable (toggle) ringer: [#] + VOLUME + AUX

To return the keypad to telephone mode after disarming the system: [#] + AUX

Note: The Babysitter Code and Installer Code cannot disarm the system unless it was the code used to arm the system. In addition, if the system is armed by pressing and holding the Quick-Arm buttons, neither the Babysitter Code nor the Installer Code can disarm the system.

REFER TO THE INSTALLATION AND SETUP GUIDE FOR THE LIMITATIONS OF THIS SYSTEM AND WARRANTY INFORMATION.

ADEMCO
GROUP

165 Eileen Way, Syosset, New York 11791
Copyright © 2001



K5966 5/01 Rev. B

B801